



# Digital display

# D400S

## DESCRIPTION

- Multifunctional unit for connecting up to 99 Sylvac instruments of different makes via M-BUS modules (the unit itself has no inputs for the instruments)
- Ideal for multi-dimensional control stations and automation applications
- Robust aluminium housing with table stand or can be integrated into a panel
- Large 7" colour touch screen
- Displays up to 32 channels simultaneously (on the same screen) or spread over several pages (max. 32)
- Intuitive interface for creating channel combinations, performing dynamic measurements, editing mathematical formulas or creating sequences
- Up to 128 room configurations can be stored and up to 30,000 values can be saved per configuration or saved on a USB stick.
- Basic SPC functions (Cp, Cpk, run chart, Pareto, histogram with Gauss curve, etc.).
- Display resolution up to 0.0001 mm (0.1 µm)
- Connectors for optional pedal 904-4101
- USB and RS2323 data outputs
- ASCII and Modbus communication protocols
- IP54 liquid-proof front panel for workshop use



Panel mounting  
(accessory 804-2202)

Large touchscreen 7" protected against liquids IP65



Output cable USB to USB (804-1210) or RS232 (925-5609)



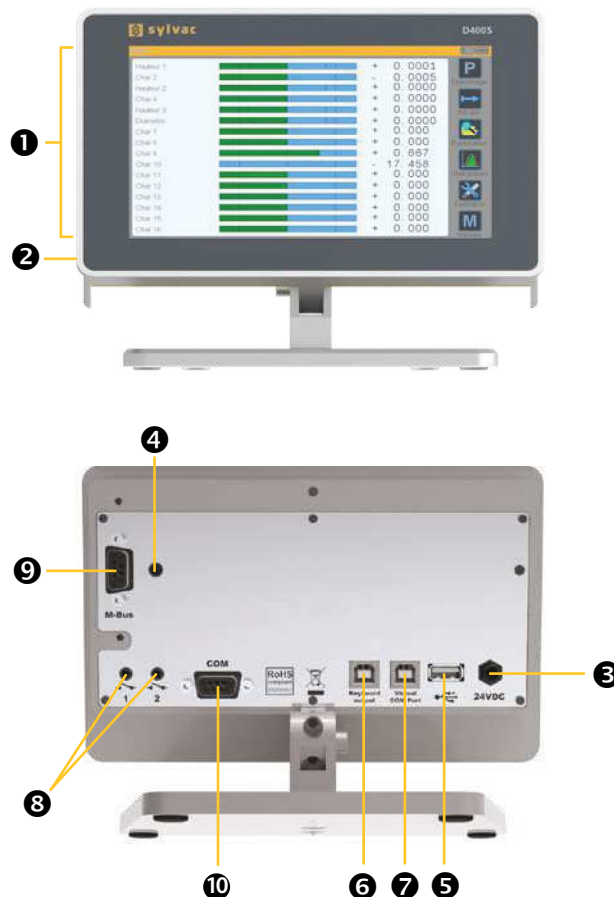


# Digital display

# D400S

## INTERFACE | HARDWARE

- ❶ Customizable display interface
- ❷ Aluminium body
- ❸ 24VDC Power supply
- ❹ Nut for DIN rail mounting (optional)
- ❺ USB key connector or QR code reader
- ❻ USB for HID keyboard emulation
- ❼ Virtual Com Port
- ❽ Footswitch 1 and 2
- ❾ Mbus connector
- ❿ Com Port (ASCII communication, Modbus RTU and Profinet module connection)



## TECHNICAL SPECIFICATIONS

		804-2400
Model		D400S
Overall dimensions	mm	200x143x151.6
Weight	kg	1.3
Case		Aluminium
Protection rating according to IEC 60529		IP65 (front face)
Output data		USB / RS232
Programmable by PC		●

H

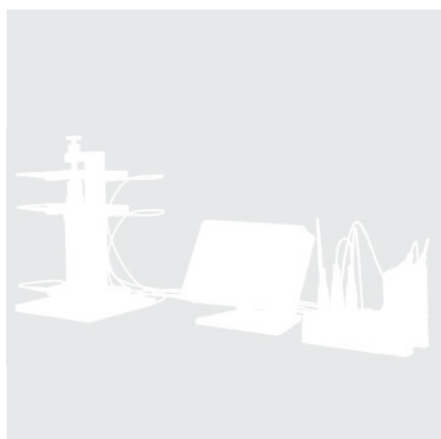
# Digital display

# D400S

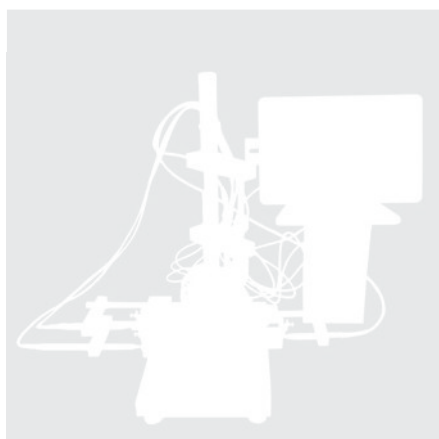
## STANDARD DELIVERY

- Unit according to technical specifications
- Charging unit
- Instruction manual

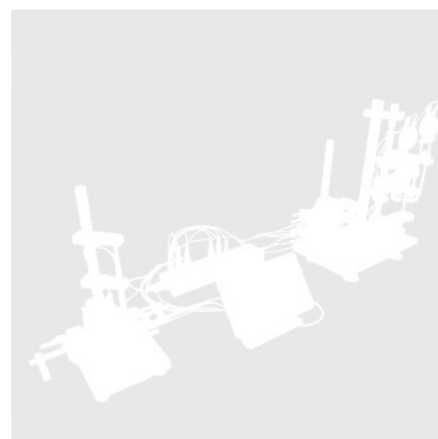
## APPLICATIONS



Probes connection through M-BUS inputs



Inductive probes connection on a jig



Probes and indicators connection through M-BUS inputs



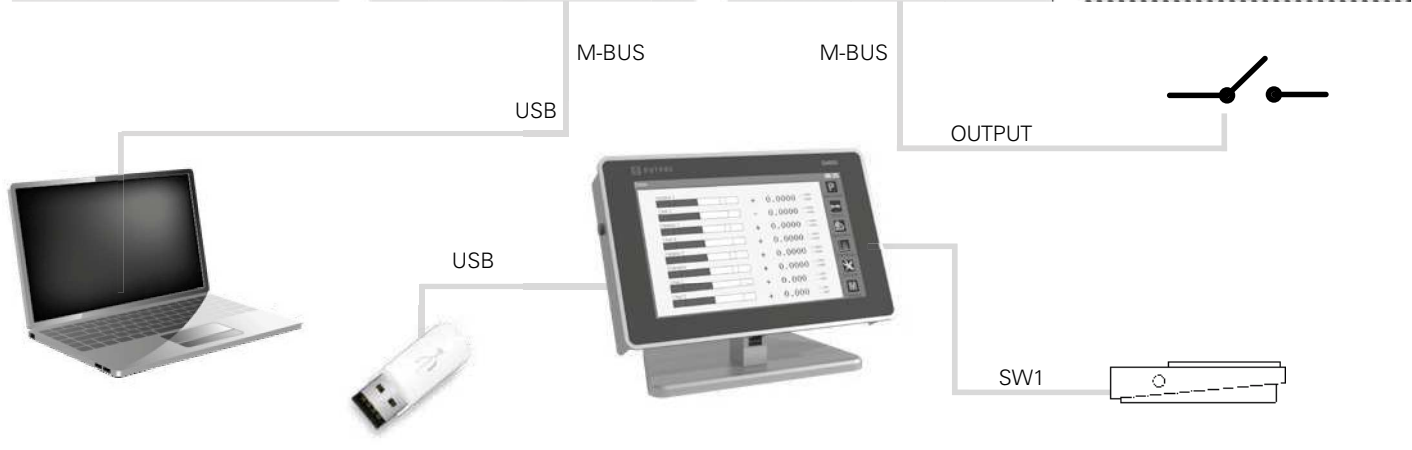
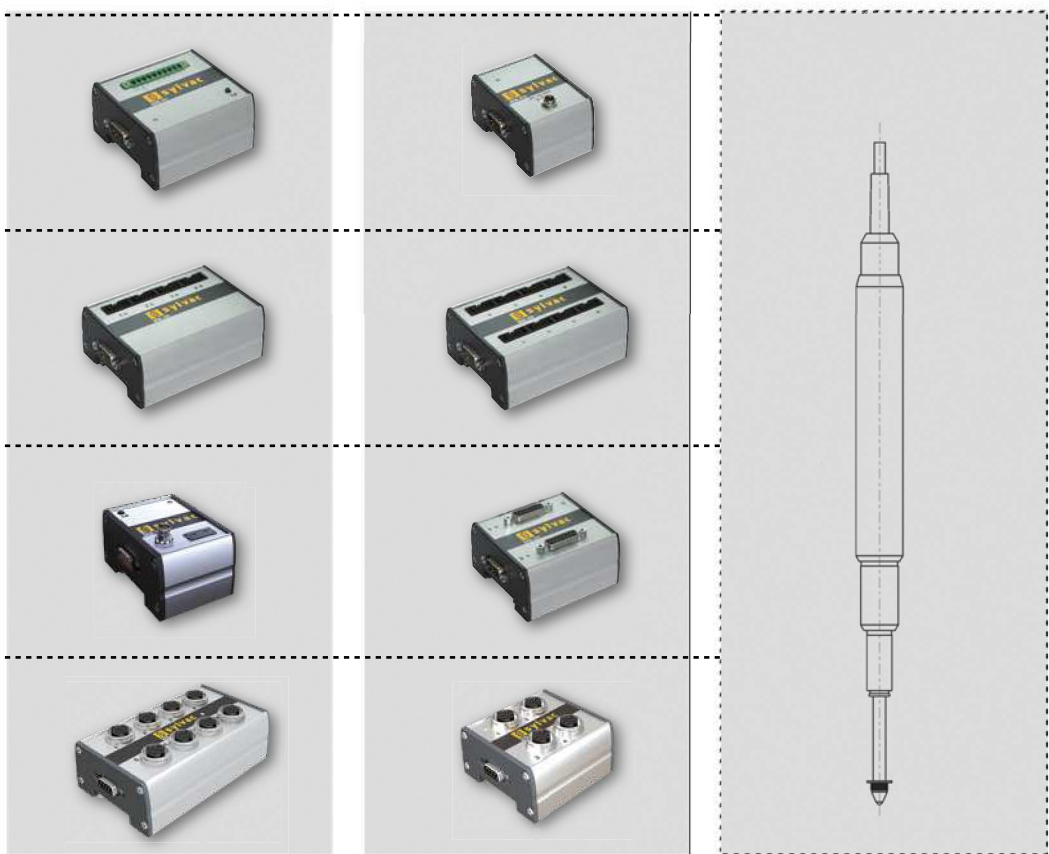
# Digital display

# D400S

## POSSIBILITIES OF CONNECTION WITH ACCESSORIES

Compatible with all M-BUS modules, except MB-RS

# MAX.99



H