

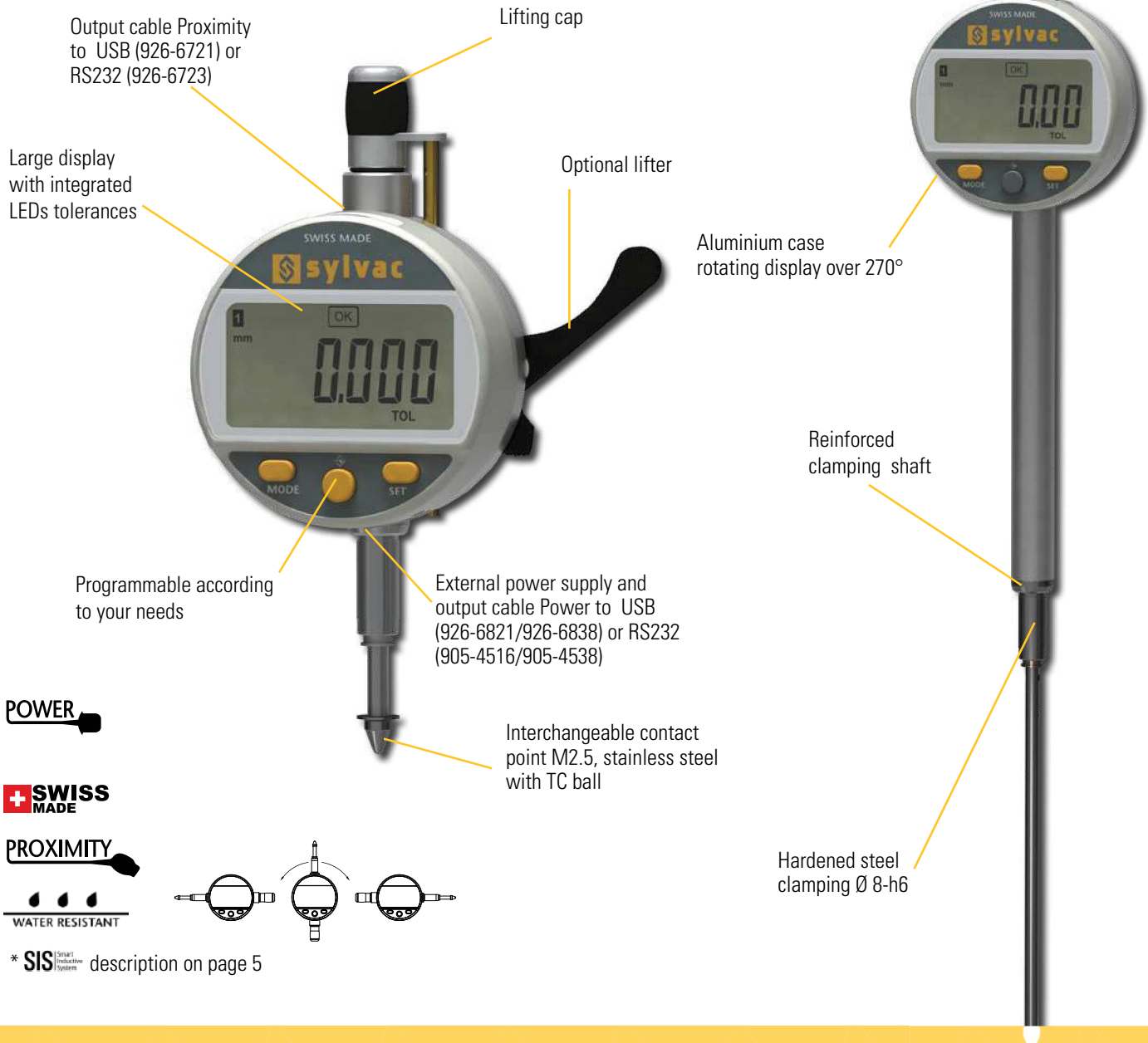
# Digital indicators

# S\_Dial WORK

## DESCRIPTION

## ADVANCED

- Robust digital comparator with Ø 59.5 mm housing rotatable by 270°.
- Large display with colour LED tolerance status indication
- Three buttons, including the central button with selectable favourite function
- Wide range of functions, including MIN/MAX/DELTA
- Proximity» and «Power» data outputs allowing the instrument to be used without batteries when connected by this cable.
- Available with display resolution 0.01 mm or 0.001 mm
- Measuring range selectable: 12.5, 25, 50, 100 and 150 mm
- The 12.5 and 25 mm versions are available in special low or high pressure versions on request.
- Protected IP54



**POWER**

**SWISS MADE**

**PROXIMITY**

**WATER RESISTANT**

\* SIS description on page 5

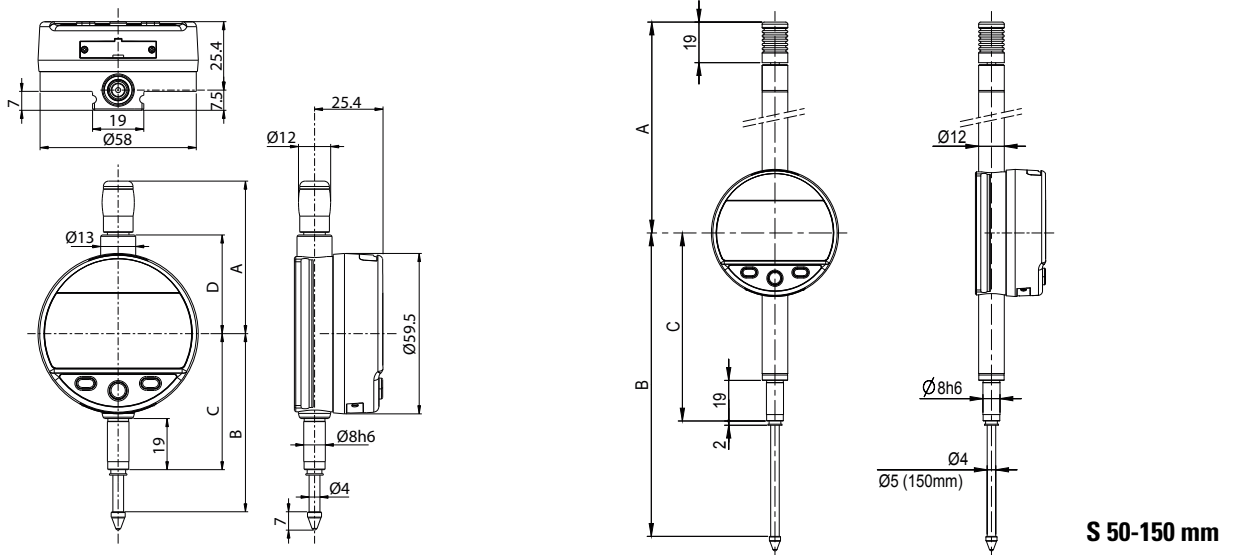


# Digital indicators

# S\_Dial WORK

## DIMENSIONAL DRAWINGS

## ADVANCED



**S 12.5-25 mm**

**S 50-150 mm**

## TECHNICAL SPECIFICATIONS

		805-5201	805-5301	805-5401	805-5501	805-5601	805-5621	805-5641	805-5661	805-5671	805-5681
Measuring range	mm	12.5	12.5	25	25	50	50	100	100	150	150
Resolution	mm	0.01	0.001	0.01	0.001	0.01	0.001	0.01	0.001	0.01	0.001
Max. Error fe	µm	10 <sup>1)</sup>	<b>3</b>	10 <sup>1)</sup>	<b>4</b>	20 <sup>1)</sup>	<b>5</b>	20 <sup>1)</sup>	<b>6</b>	20 <sup>1)</sup>	<b>10</b>
Repeatability	µm	2									
IP rating		IP54									
A	mm	56.7		69.4		121		172		224	
B	mm	66.1		78.5		142		244		349	
C	mm	50.5		50.5		88		139		193	
D	mm	36.6		49.4		-		-		-	
Output data		USB / RS232									
Programmable by PC		●									
Standard functions (customized by PC)		mm/inch, ref I/II, preset (max 999.999) min/max/delta, tolerances, resolution, direction of measurement, multiplication factor, automatic or manual switch off, key lock									

<sup>1)</sup> ± 1 digit

## STANDARD DELIVERY

## MEASURING FORCE

- Instrument according to technical specifications
- Lithium battery CR2032 included
- Instruction manual
- Calibration certificate for instruments 0.001 mm

		12.5	25	50	100	150
Standard	N	0.65 - 0.9	0.65 - 1.15	1.1 - 2.6	1.8 - 3.8	2.6 - 5.7
Low <sup>2)</sup>	N	0.4 - 0.55	0.45 - 0.9	---	---	---
High <sup>2)</sup>	N	1.0 - 1.6	0.9 - 1.8	---	---	---

Tolerance ± 20%, spindle in outgoing measurement position.  
<sup>2)</sup> on request

