

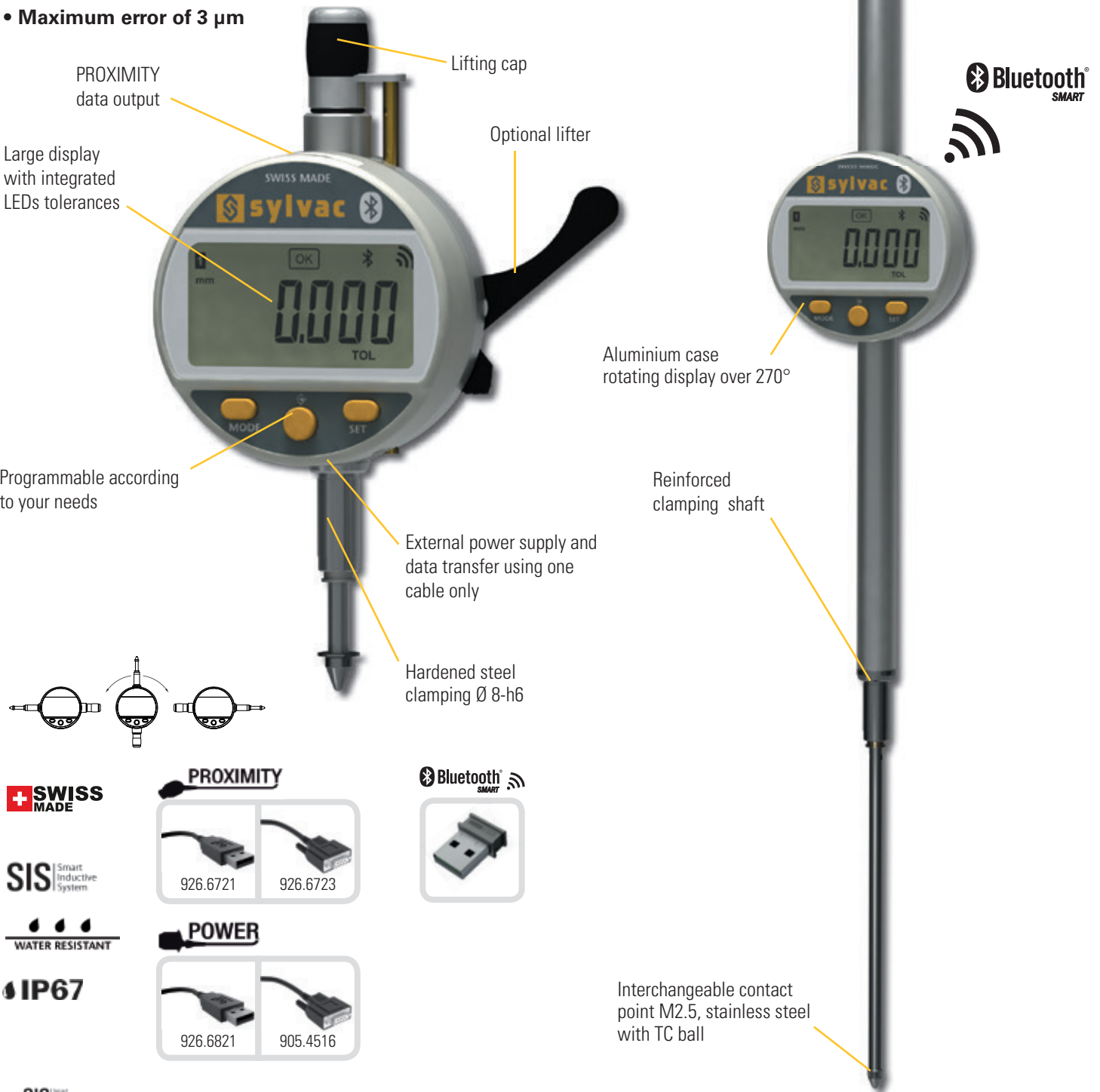
# Digital indicators

# S\_Dial WORK

## DESCRIPTION

## BLUETOOTH® SMART IP67

- **Integrated Bluetooth<sup>®</sup> SMART data transmission**
- Robust construction
- **Protection rating IP67 according to IEC 60529, even connected**
- Water and coolant resistant
- New technology with configurable menus
- **Broad choice of functions (MIN/MAX/DELTA, TOL, Factor, PRESET, AUTO OFF, etc.)**
- Automatic wake-up and sleeping mode (S.I.S system), **absolute System\***
- **Maximum error of 3 µm**



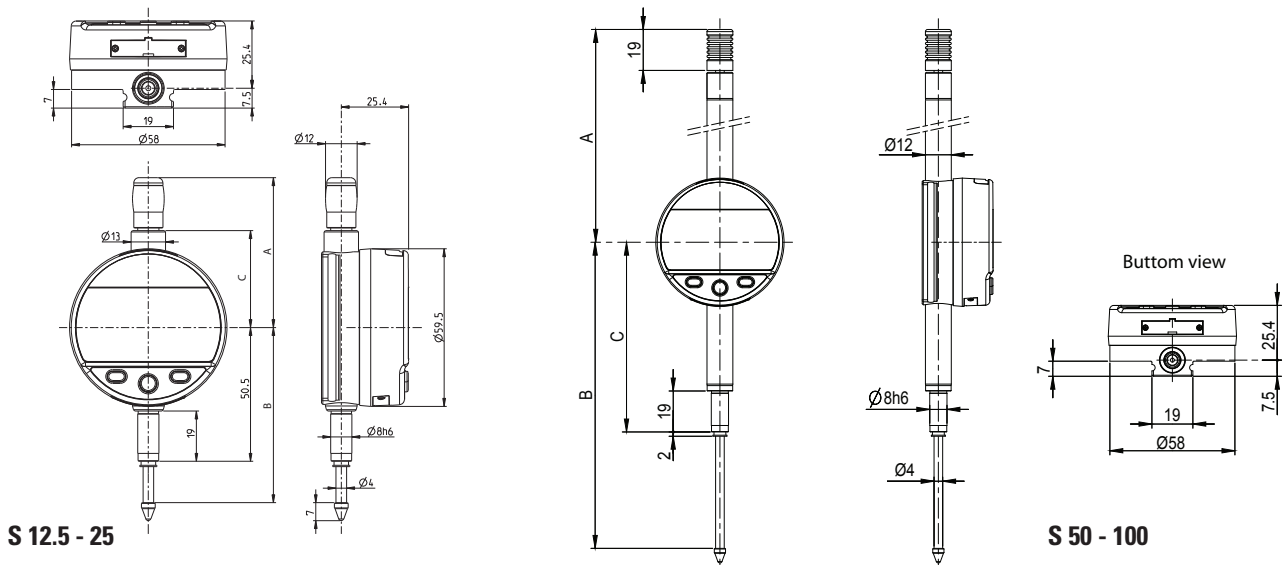
\* SIS description on page 5

# Digital indicators

# S\_Dial WORK

## DIMENSIONAL DRAWINGS

## BLUETOOTH® SMART IP67



## TECHNICAL SPECIFICATIONS

		805.6301	805.6501	805.6621	805.6661
Measuring range	mm	12.5	25	50	100
Resolution	mm	0.001	0.001	0.001	0.001
Max. Error fe	µm	<b>3</b>	<b>4</b>	<b>5</b>	<b>6</b>
Repeatability	µm	2			
Model type <sup>1)</sup>		<b>S</b>			
IP67 (IEC 60529)		●			
A	mm	56.6	69.3	121	172
B	mm	66.1	79	142	244
C	mm	36.6	49.4	88	139
S_Connect : Proximity / Power		USB / RS232 / BLUETOOTH® Smart*			
Programmable by PC		●			
Standard functions (customized by PC)		mm/inch, ref I/II, preset (max 999.999) min/max/delta, tolerances, resolution, direction of measurement, multiplication factor, automatic or manual switch off, key lock			

<sup>1)</sup> S = Standard

**\* 100% compatible with BLUETOOTH® Smart dongle 981.7100**  
See page 6 for availability according to the country

## BASIC INSTRUMENT

## MEASURING FORCE

		12.5	25	50	100
• Instrument according to technical specifications					
• Lithium battery CR2032 included					
• Instruction manual					
• Calibration certificate for instruments 0.001 mm					
Standard	N	0.65 - 0.90	0.65 - 1.15	1.4 - 2.9	1.8 - 3.8
Low <sup>2)</sup>	N	0.4 - 0.55	0.45 - 0.9	---	---
High <sup>2)</sup>	N	1.0 - 1.6	0.9 - 1.8	---	---

Tolerance ± 20%, spindle in outgoing measurement position.  
<sup>2)</sup> on request