

Digital indicators

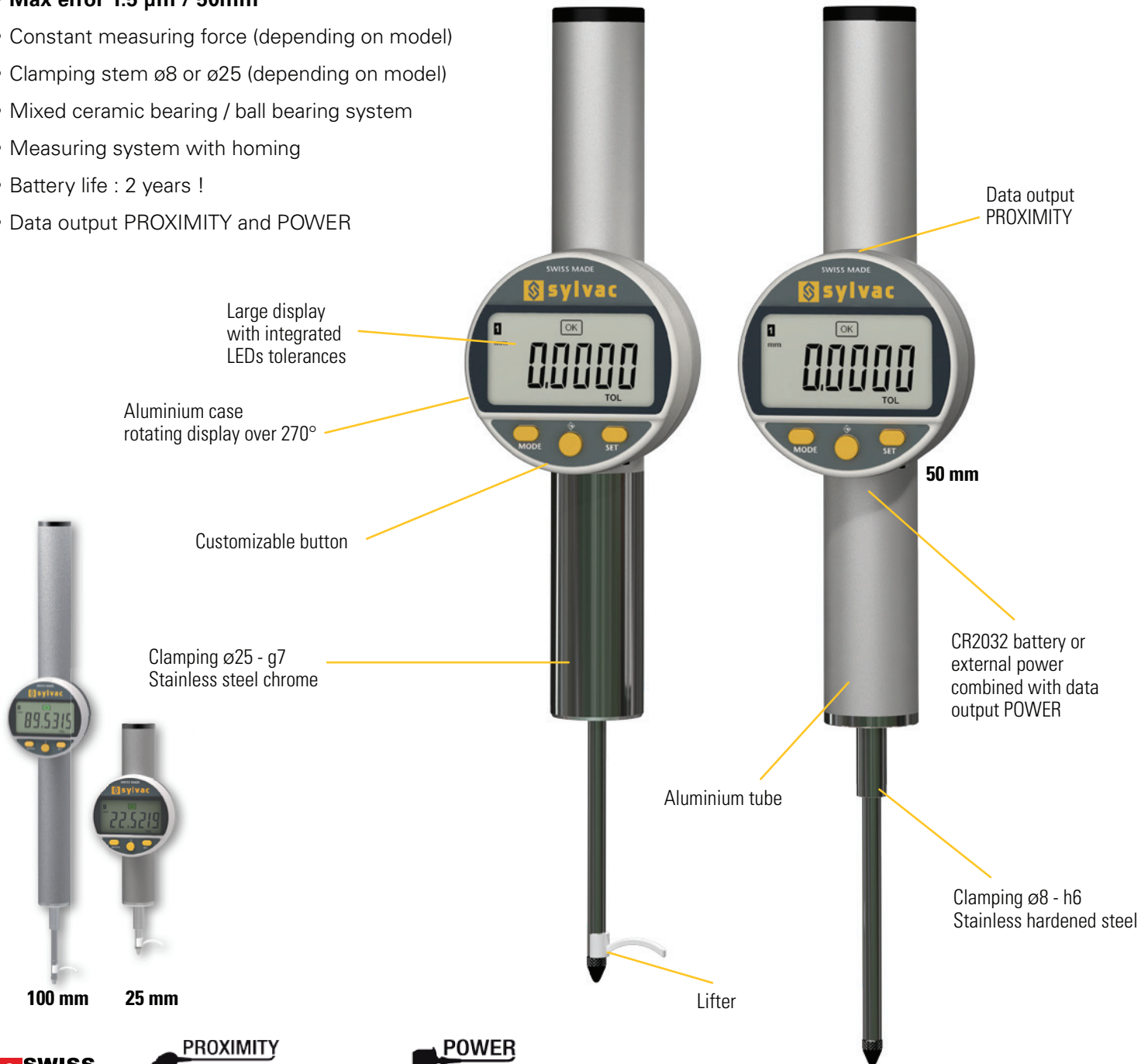
S_Dial PRO

DESCRIPTION

BASIC

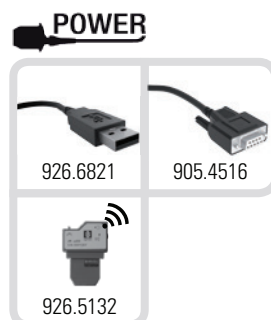
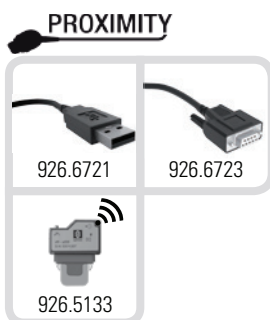
- Resolution of 0.1 μm
- Broad choice of functions (MIN/MAX/DELTA, TOL, Facteur, PRESET, AUTO OFF, etc.)
- **Max error 1.5 μm / 50mm**
- Constant measuring force (depending on model)
- Clamping stem $\varnothing 8$ or $\varnothing 25$ (depending on model)
- Mixed ceramic bearing / ball bearing system
- Measuring system with homing
- Battery life : 2 years !
- Data output PROXIMITY and POWER

B



SWISS MADE

WATER RESISTANT

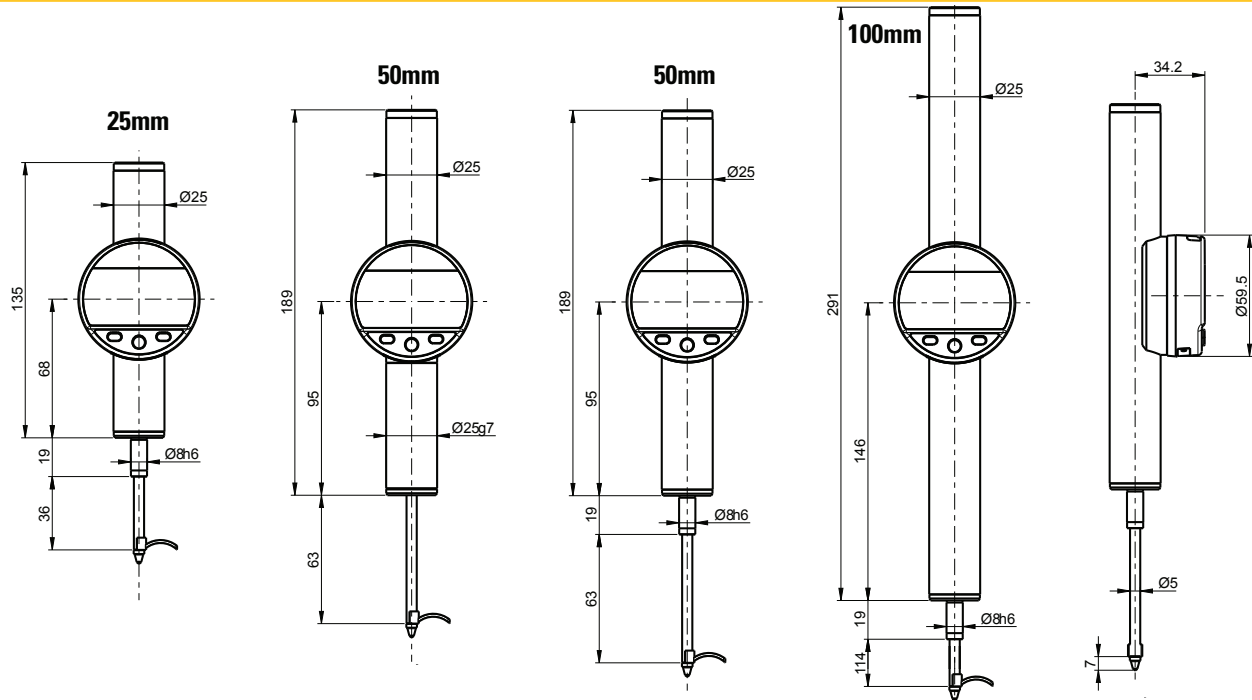


Digital indicators

S_Dial PRO

DIMENSIONAL DRAWINGS

BASIC



TECHNICALS SPECIFICATIONS

		805.8501	805.8502	805.8601	805.8701	805.8602	805.8702	805.8661
Measuring range	mm	25		50			100	
Resolution	mm	0.0001						
Max. Error fe	µm	1.3		1.5			2.2	
Repeatability	µm	0.2						
S_Connect : Proximity /Power		USB / RS232						
Programmable by PC		●						
Clamping		ø8 h6			ø25 g7		ø8 h6	
Spring		●	¹⁾	●	¹⁾	●	¹⁾	●
Measuring force	N	0.75 - 1.00 ²⁾	0.30 ²⁾	0.85 - 1.2 ²⁾	0.40 ²⁾	0.85 - 1.2 ²⁾	0.40 ²⁾	0.90 - 1.30 ²⁾
IP rating		IP51						
Standard functions (customizable by PC)		mm/inch, ref I/II, preset (max 99.9999) min/max/delta, tolerances, resolution, measuring direction, multiplier, automatic extinction/manual, keylock						

¹⁾ Model without spring : Constant measuring force, use only in a vertical position

²⁾ The values agree within ± 20% (vertical down, measuring rod outgoing)

INSTRUMENT DE BASE

- Instrument according to technical specifications
- Lithium battery CR2032 included
- Lifter included
- Manual
- Calibration certificate