

MEASURING BENCH PS16 V2

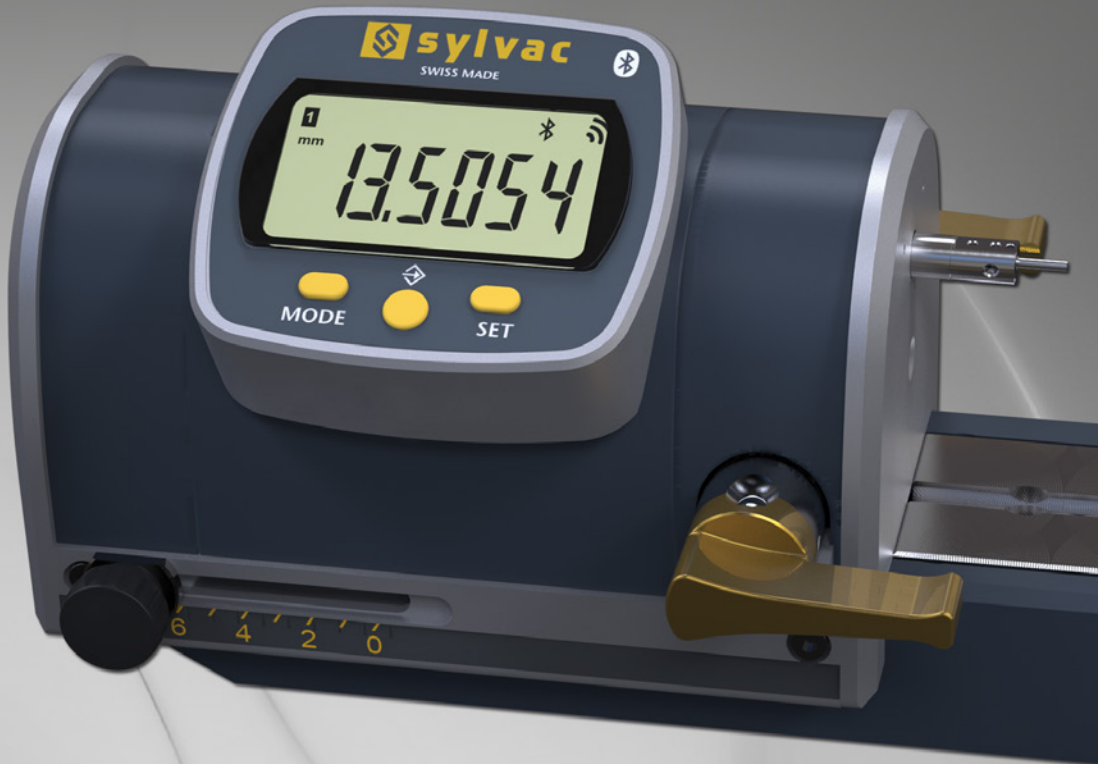
E

BANC DE MESURE PS16 V2

F

MESSBANK PS16 V2

D

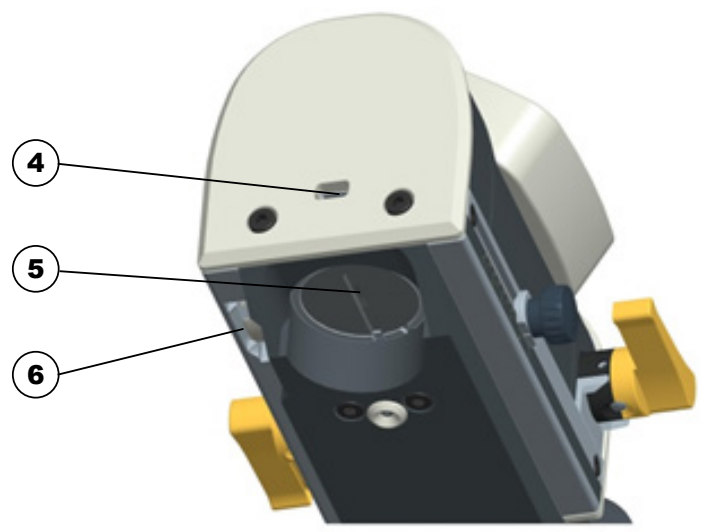
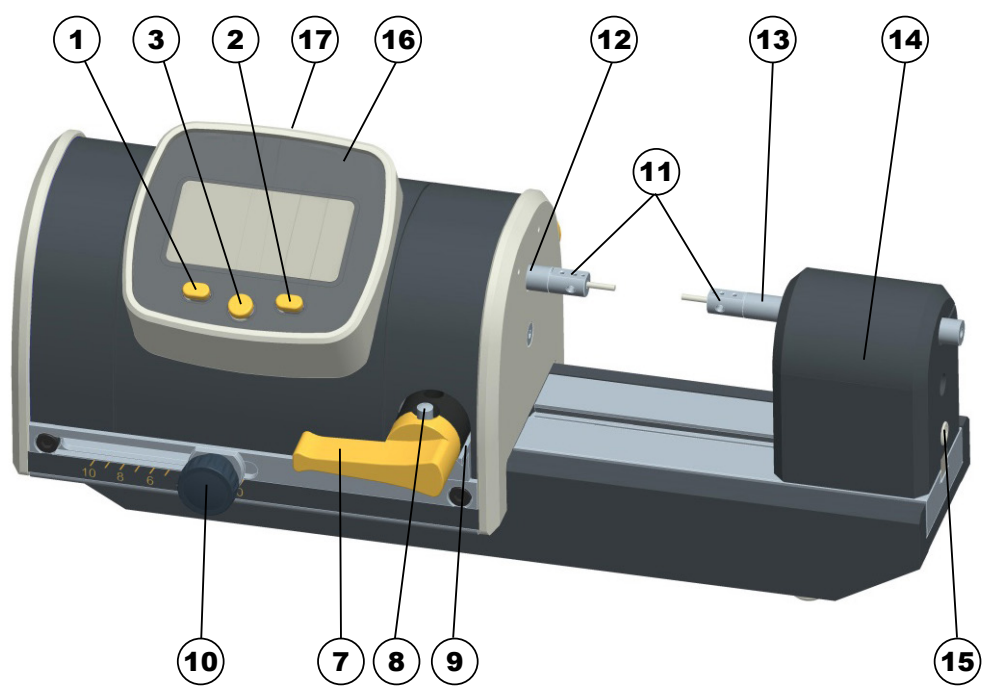


INSTRUCTIONS

MODE D'EMPLOI

BEDIENUNGSANLEITUNG

E



CR2477



CR2477N



Description

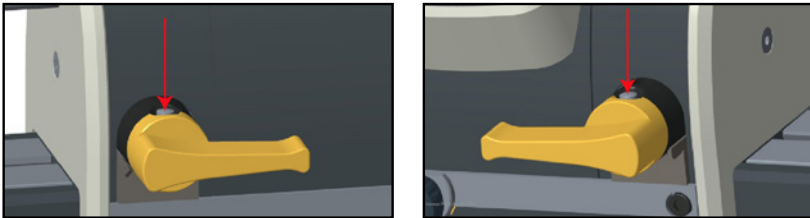
1. MODE button
2. SET button
3. "Favourite" button
4. Mini-USB
5. Compartment for battery CR2477 or CR2032.
6. Adapter CR2477/CR2032
7. Adjustable release lever
8. Optional stop
9. Travel stop
10. Force adjustment knob
11. Anvils locking screw $\varnothing 1.5\text{mm}$
12. Moving measurement spindle for Sylvac $\varnothing 1.5$ probe and Cary compatible probe
13. Fixed measurement spindle for Sylvac $\varnothing 1.5$ probe and Cary compatible probe
14. Moveable tailstock
15. Tailstock position locking screw
16. Measurement unit
17. Proximity cable housing

E

Handling

Unblocking the transport mode axes

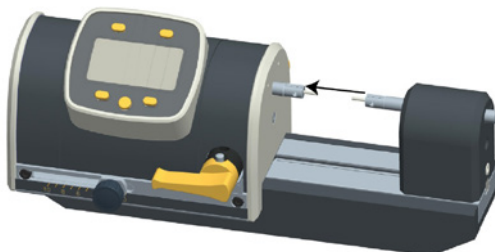
Place the 2 optional stops (on the front and rear of the unit) in their middle position.



First use

For the first use, after a complete stop (off) or battery change, the instrument will request a new reference measurement (--r{F}--).

Move the measurement axis to the end of its run, (fully entered)



1. General usage remarks

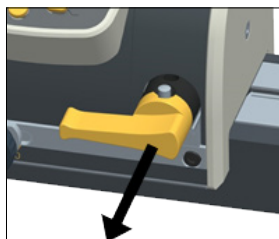
- The original anvils assembled on both measurement axes are lapped in position to guarantee an optimum measurement. Any disassembly of these anvils can lead to a reduction in the accuracy of the instrument.
- The tailstock was positioned to have 0.5mm prestress in the probe zero position.
- Activating the lever opens the anvils. Releasing the release lever too sharply can have a harmful influence on the probes and the measurement accuracy.
- It is advisable to check the reference (origin) during use.
- Monitor the cleanliness of the moving spindle. If necessary clean with light benzene. Using a cloth that could leave residual particles is not recommended.
- Certain components, notably the headstock clamp screws are sealed after assembly and consequently must not be removed. Any work on these components by a third party can lead to loss of the guarantee.

E

2. Use

2.1 Adjustable release lever

The movable measuring spindle is retracted by means of the adjustable lever (7). The position of the lever can be adjusted to suit the location of the workpiece. In order to change the position, pull the lever out axially and move it to the desired position.

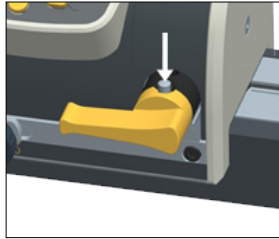


2.2 Optional stops

The PS16 V2 is equipped with 2 optional stops (at the front and back of the instrument). Used in combination, they allow the travel to be restricted in 2 directions (opening/closing) so that the position and the measuring travel can be adjusted to suit the workpiece.

This prevents the anvils from coming back into contact (0) and having to repeat the full travel with each measurement. The stop is engaged by pushing the radial button (8).

The stop positions are adjusted by positioning the release lever (see chap. 2.1). If 2 stops are being used, the release lever has a set position that cannot be modified.

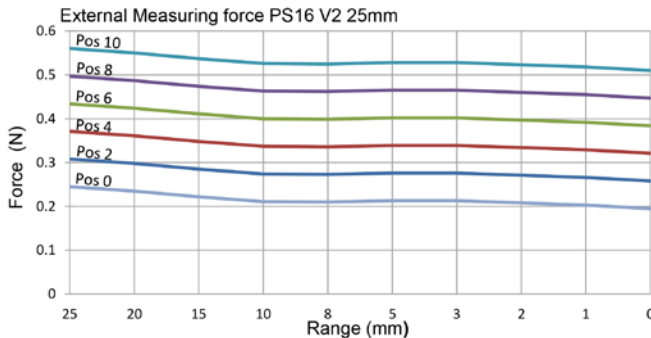


2.3. Measuring force

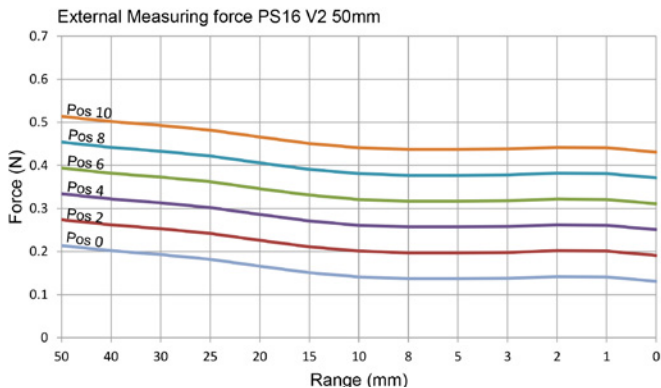
The measuring force can be adjusted by moving the adjustment knob (10) as follows: unscrew the knob (~1/2 a turn), position it at the required force and re tighten it.

Optimise the measuring force setting for workpiece weight and deformation. Do not adjust the measuring force during a measurement process.

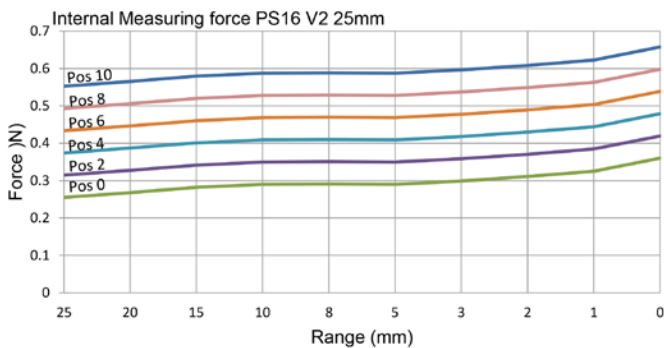
Force for external measurement PS16 V2 25mm



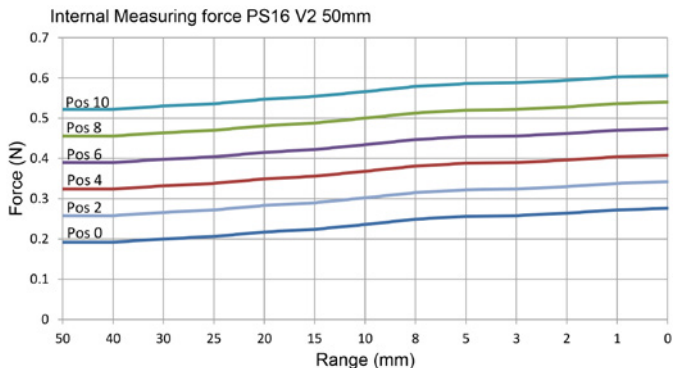
Force for external measurement PS16 V2 50mm



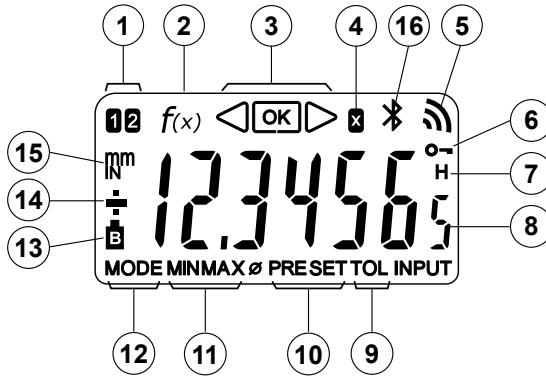
Force for internal measurement PS16 V2 25mm



Force for internal measurement PS16 V2 50mm



3. Measurement unit



3.1. Description

1. Active reference
2. Measuring mode with 3-point function
3. Tolerance indicator
4. Multiplication factor
5. Sending data
6. Keypad lock
7. Hold measured value
8. 6-digit display
9. Tolerance mode
10. Preset Mode
11. Mode Min/Max/Delta
12. MODE menu indicator
13. Low battery
14. Indicator + / -
15. Measurement unit mm/INCH
16. *Bluetooth*[®] connection

3.1.1 Operating features of the instrument

- **MODE** The instrument has two operating modes: basic functions (direct access) and advanced functions. In addition to the configuration functions, 2 working reference functions can be accessed, in MIN, MAX and DELTA (TIR) mode, plus tolerance display or input of multiplication factor other than 1:1 (see chaps. 3.3 and 3.4)
- **↔** The «favourite» key gives direct access to the function used most often (see chap. 3.6)
- **SET** Sets a Preset value, reset the MIN/MAX mode, verifies a selection, and controls switching off the instrument. By default, SIS mode enables automatic switch-off with no loss of origin (see chap. 6)

3.1.2. Personalising the functions

It is possible to activate or deactivate certain functions of the instrument. (requires a connection, see chap. 6.2)

3.1.3. Data transmission parameters

4800Bds, 7 bits, even parity, 2 stop bits

3.2. Start, re-initialisation

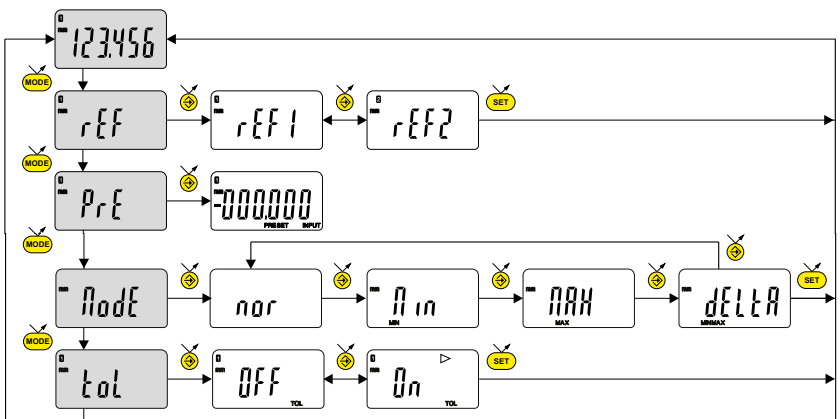
Press a button.

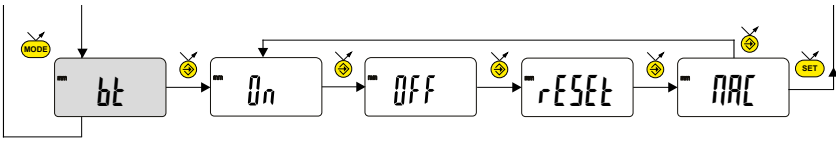
When the instrument is used for the first time after the battery has been changed or after it has been completely switched off (OFF), the instrument needs to be reinitialised (---rEF---). Simply insert the measuring spindle to the end of its travel.

For a *Bluetooth*® connection (see chap. 4).

3.3. Basic functions




Each short press on **MODE** gives direct access to the basic functions :





rEF Choice of reference (REF1 or REF2)

PrE Inputting a Preset value

 next digit
  0...9
  save the PRESET

ModE Minimum, Maximum and Delta (TIR) measurement


tOL Tolerance display
(inputting tolerance limits, see chap. 3.5)

bt Bluetooth® ON/OFF or MAC address display

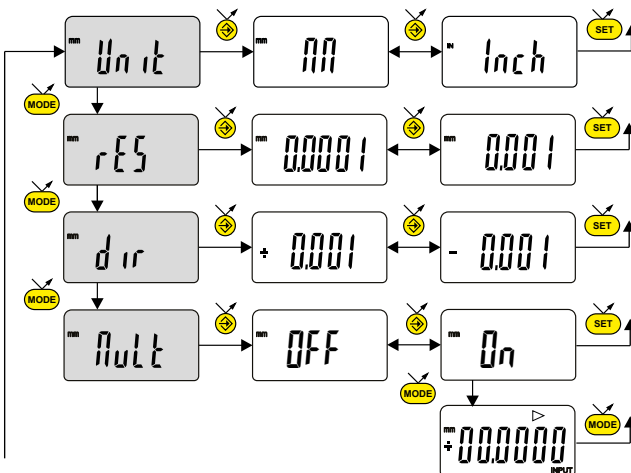
Note :

It is possible to assign a different preset value to each of the 2 References. Similarly, different tolerance limits can be assigned to References 1 and 2.

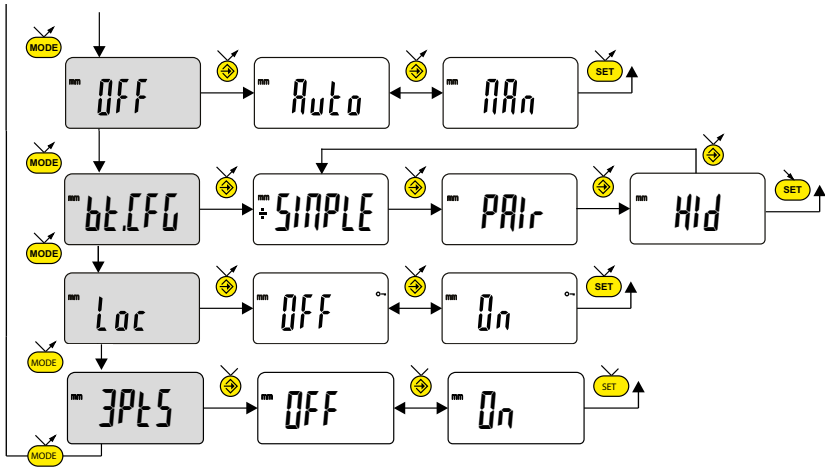
3.4. Advanced functions

Prolonged pressure (>2s) on  gives access to the advanced functions.

Then, each short press on  accesses the required function :



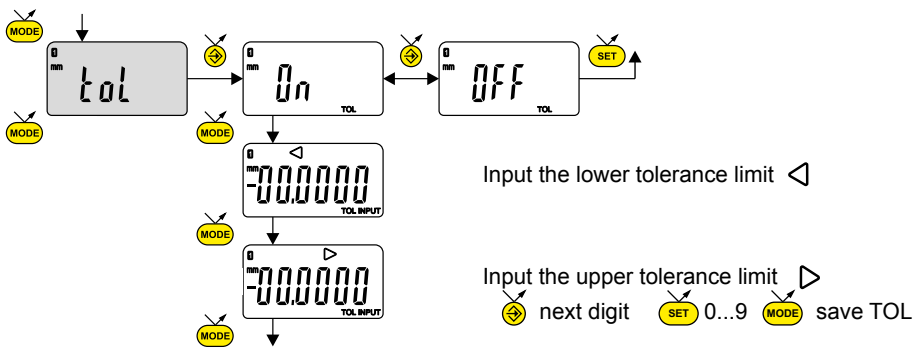
3.4. Advanced functions (continuation)



- Unit** Units selection (mm or Inch)
- rES** Choice of resolution (depending on version)
- dir** Choice of measurement direction (positive or negative sense)
- Mult** Inputting a multiplication factor other than 1.0000
 - Next digit 0...9 save MULT
- OFF** Automatic switch-off mode
MMn = de-activated, *Auto* = active
- bLEFG** *Bluetooth*[®] profile selection (depending on model).
 (see chap. 4 for details)
 The ÷ sign indicates the currently active profile.
- Loc** Keypad lock. Only the favourite key remains active
 (to unlock the keypad, press for 5 sec)
- 3PL5** Diameter measurements at 3 points (for 3 points version)

3.5. Inputting tolerance limits

To input or modify the tolerance limits, *Dir* → *Dir* mode should be selected, followed by a short press on



Note:

For measuring internal dimensions, the red and yellow indicators can be switched over by reversing the order in which the tolerance limits are input (lower limit > upper limit).

It is possible to input different tolerances on REF1 and REF2.

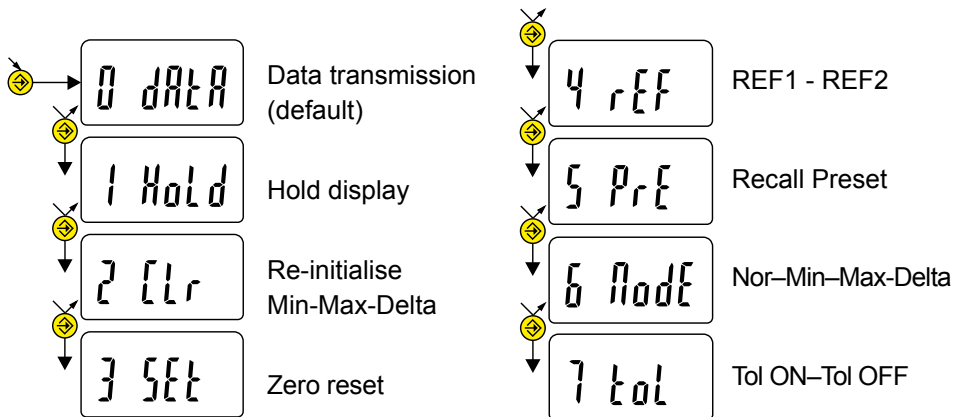
It is also possible to display the tolerance limits when the instrument is operating in MIN, MAX or DELTA (TIR) mode.

If no tolerance limits have been defined by the user, the instrument will display the tolerance limits have indicators ◀ [OK] ▶ , but will not turn on the indicator lights (red - green - yellow)

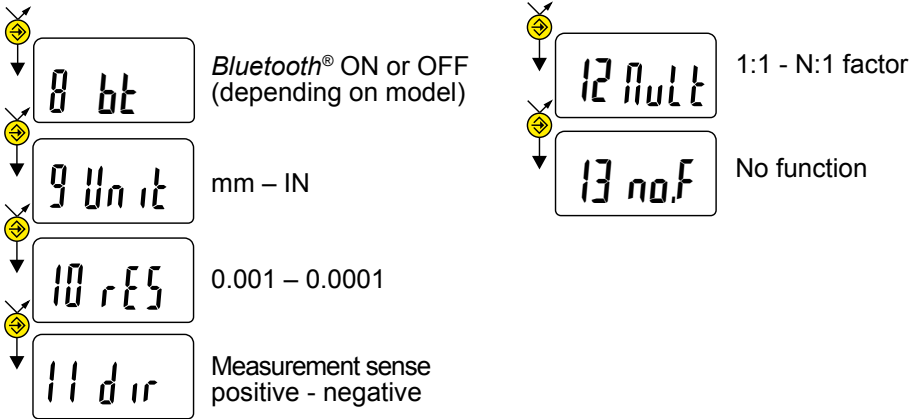
3.6. Favourite key

The «favourite» key gives direct access to a predefined function, and can be configured according to the needs of the user. In order to assign a function to the «favourite» key.

Give a prolonged press on , and then select the required function :



3.6. Favourite key (continuation)



Validation of selection: By a prolonged press on **SET** or a short press on **↵** or **MODE**.

Note :

A function can also be assigned via RS232 using the command

<FCT + Function No.> (FCT 0..9 A..F)

example: Toggle unit = <FCT9>, reverse measurement direction = <FCTB>.

4. Bluetooth® configuration



The connection procedure has been designed to be simple and is signalled by the following three states:

- Symbol ✖ off..... disconnected mode
- Symbol ✖ blinking..... advertising mode
- Symbol ✖ on..... connected mode

The following options can be selected to control the Bluetooth® module.

- On Enable Bluetooth® module (start advertising mode).
- OFF Disable Bluetooth® module (terminate active connection).
- rESEt Clear pairing information.
- MAC Display the MAC (Media Access Control) address.

Three Bluetooth® profiles are available.

- SIMPLE Profile without pairing (default).
- PAIR Paired and secured profile.
- hid Virtual keyboard mode (compatible with recent equipment without driver installation).

Note:

- Bluetooth® pairing information is cleared when the profile is changed.

Connection :

- 1 Activate *Bluetooth*® Smart compatible software and hardware (Master : PC, Display Unit)
- 2 Start the instrument. By default the *Bluetooth*® module is active and the instrument is available for connection (advertising mode)
- 3 If no connection is established during the advertisement period reactivate the *Bluetooth*® module using the *bt / On* menu.
- 4 Instrument is ready to communicate (connected mode)

Only with paired profile :

Pairing with master is automatically done at first connection.
 To connect the instrument to a new master (new pairing), pairing information on the instrument must be cleared using the *bt / rEStt* menu.

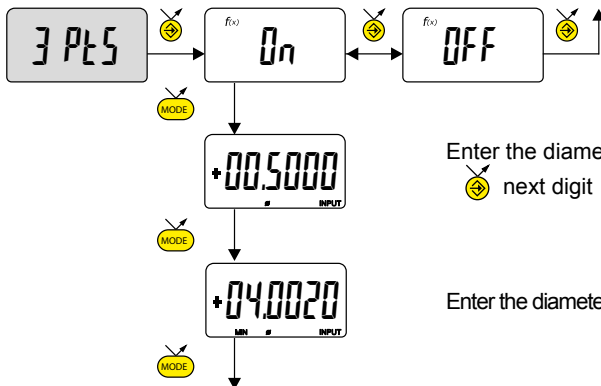
4.1. Bluetooth® specifications

Frequency Band	2.4GHz (2.402 - 2.480GHz)
Modulation	GFSK (Gaussian Frequency Shift Keying)
Max Output Power	Class 3: 1mW (0dBm)
Range	Open space: up to 15m Industrial environment: 1-5m
Battery life	Continuous : up to 2 months - Always connected with 4 values /sec. Saver : up to 5 months - The instrument sends value only when the position has changed. Blind/Push : up to 7 months - Value is sent from the instrument (button) or requested from the computer.

Other specifications on the manufacturer’s website.

5. Adjusting the 3 points measurement system (for 3 point model)

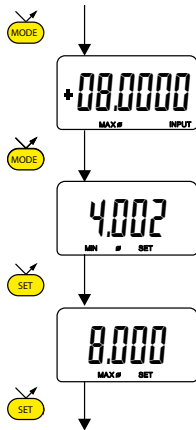
To adjust the 3 points measurement system, select the 3 Pts ON menu and then briefly press **MODE**.



Enter the diameter of the pins
 next digit SET 0...9 MODE save the value.

Enter the diameter of master gauge 1

5. Adjusting the 3 points measurement system (continued)



Enter the diameter of master gauge 2

Measure gauge 1 ¹⁾

Confirm the measurement of gauge 1

Measure gauge ¹⁾


Confirm the measurement of gauge 2

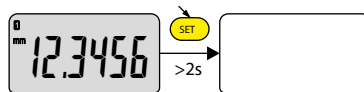
The PS16 is ready to measure. The rEF 1 and rEF 2 reference presets (PrE function) are set to the value of the two gauges.

¹⁾ the display will return to measurement mode as soon as the measurement probe is moved, to allow for ideal gauge positioning.

6. Switching off


The dial gauge goes automatically into stand-by if not used for 10 minutes, unless automatic switch-off mode has been turned off (see Chap. 3.4, advanced functions)

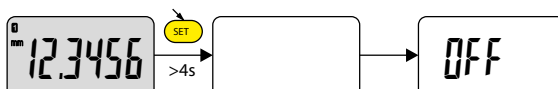
Stand-by mode can be forced by a prolonged press (> 2 sec) on 





In stand-by mode, the value of the origin is retained by the sensor (SIS mode), and the instrument automatically restarts with any movement of the measurement probe, RS command, *Bluetooth*[®] request or press a button.

The instrument can be switched off completely for a long period of non-use, but this will necessitate a zero reset on restart (the origin will be lost) :

Prolonged press (>4 sec) on  :



6.1. Re-initialising the instrument

The initial instrument settings can be restored at any time by a prolonged press (>4 sec) simultaneously on  and  until the message $rEEL$. The instrument now needs to be reinitialised.

6.2. Personalising the instrument

Access to the functions of your instrument can be personalised, for more information see manufacturer's website (requires you to connect your instrument via an USB cable, Proximity or *Bluetooth*[®]).

Possibilities:

- Enable or disable the required functions
- Modify access to the advanced functions (direct access)

6.3. Connecting the instrument

The instrument can be connected to a peripheral device via a USB, or Proximity cable or via *Bluetooth*[®]. Measurement values can be transmitted and the instrument can be controlled with the help of predefined remote commands (for a list of the main commands, see chap. 7).

Note:

In Tolerance mode, the tolerance limit lights remain lit only for a few seconds while the measurement stabilises. However, they will remain permanently lit if the instrument is connected and powered by the USB connector.

7. List of the main commands

Selection and configuration

CHA+ / CHA-	Change measurement direction
FCT0 ...9...A...F	Assign «favourite» function
MM / IN	Change measurement unit
KEY0 / KEY1	Lock / unlock keypad
MUL [+/-]xxx.xxx	Modify multiplication factor
PRE [+/-]xxx.xxx	Modify preset value
REF1 / REF2	Change active reference
STO1 / STO0	Activate / de-activate HOLD
TOL ON / TOL OFF	Activate / de-activate tolerances
ECO1 / ECO 0	Activate / de-activate economic mode
LCAL dd.mm.yy	Modify last calibration date
NCAL dd.mm.yy	Modify next calibration date
NUM x...x (up to 20chars)	Modify the instrument number
TOL +/-xxx.xxx +/-yyy.yyy	Inputting tolerance limits
MIN /MAX /DEL /NOR	Selecting MIN, MAX, Delta, Normal mode
CLE	Re-initialisation of MIN, MAX or Delta
UNI1 / UNI0	Activate / de-activate change of units
OUT1 /OUT0	Activate / de-activate contin. data transmission
PRE ON / PRE OFF	Activate / de-activate Preset function
PRE	Recall Preset
SET	Zero reset
RES1 / RES2	Change of resolution

SBY xx xx number of minutes before stand-by

BT0/BT1 Activate / de-activate *Bluetooth*® module
 BTRST Reset pairing information

Interrogation

CHA?	Measurement sense?
FCT?	«favourite» function active?
UNI?	Measurement unit active?
KEY?	Keypad locked?
MUL?	Multiplication factor?
PRE?	Preset value?
REF?	Reference active?
STO?	Status of HOLD function?
TOL?	Current tolerance limit values?
ECO?	Current economic mode
LCAL?	Date of last calibration?
NCAL?	Date of next calibration?
NUM?	Instrument number?
?	Current value (mode Tol, value followed by <=>)
MOD?	Active mode (MIN, MAX, Delta or Normal)?
SET?	Main instrument parameters?
ID?	Instrument identification code?

Maintenance functions

BAT?	Battery status (BAT1 = OK, BAT0 = low battery)
OFF	Switch-off (wake up using a button or RS)
RST	Re-initialisation of the instrument
SBY	Put instrument in stand-by (SIS)

MAC? *Bluetooth*® MAC address ?

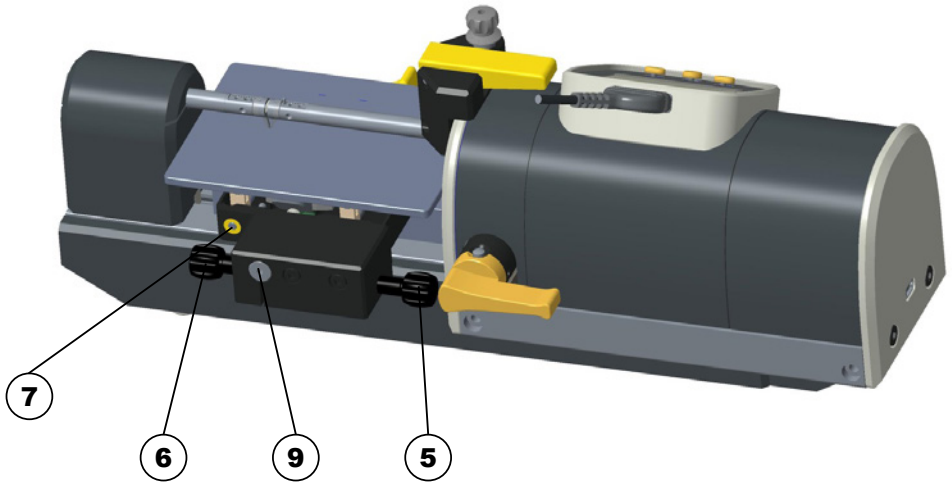
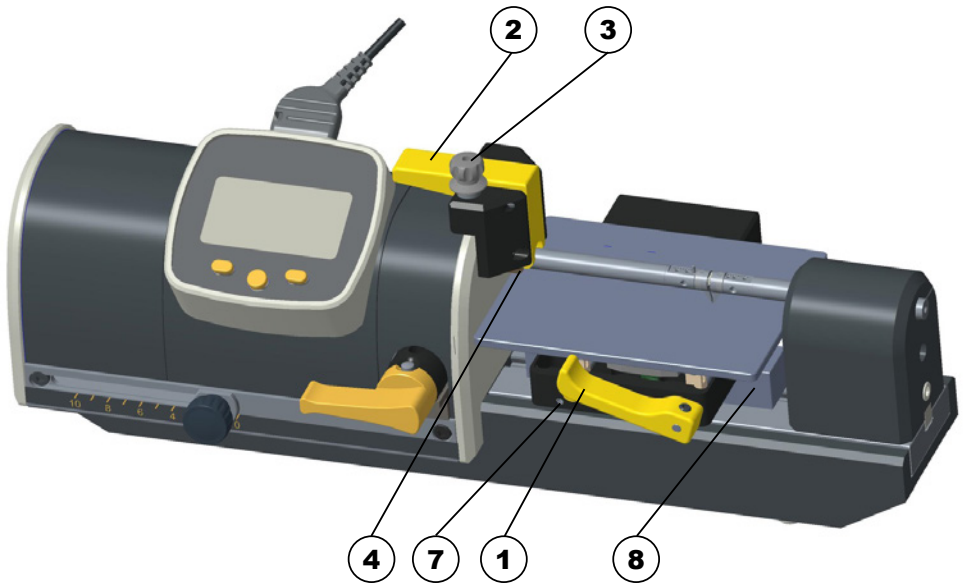
8. Specifications

Measurement range :	25mm	50mm
Max error :	1.5µm	2.0µm
Repeatability:	0.2µm	0.3µm
Weight (without any accessories):	3550g	4180g
Measurement force :	0.15 - 0.65N	0.15 - 0.60N
No. of measurement/ sec:	meas.: 4.4 meas/s	MIN/MAX mode: 5.3 meas/s
Measurement unit:	metric/english (Inch)	
Maximum preset (resolution 0.001mm):	±999.999 mm / ±39.99995 IN	
Maximum preset (resolution 0.0001mm):	±99.9999 mm / ±3.999995 IN	
Measurement system:	Sylvac inductive system (patented)	
Power:	Lithium battery 3V, type CR2032 (capacity 220mAh) or lithium battery type CR2477 (950mAh) or USB	
Average consumption :	155µA	
Average battery life:	4'000 hours / with <i>Bluetooth</i> ® enabled, see chapter 4.1	
Data output:	USB (RS232 compatible) / <i>Bluetooth</i> ® 4.0 (see chapter 4)	
Working temperature (storage):	+5 to +40°C (-10 to +60°C)	
Electromagnetic compatibility:	as per EN 61326-1	
IP rating (in accordance with IEC60529):	IP 40	
Anvils system :	Ø1.5, Cary compatible	

E

9. Goutte Version

E



9.1. Description

1. Quick release lever
2. Lever measurement
3. Measurement position adjustment knob
4. Positioning ring
5. Stop adjustable, high position
6. Stop adjustable, low position
7. Screws of the table (front and rear)
8. Spacer for thicker components
9. Location for dial gauge (plug)

E

9.2. Reference taking (---EF--)

To place the axis at the end of its run and take the reference (---EF--). ---), the measurement positioning ring must be released (release the screw). After taking the reference, retighten the ring leaving 3mm between the measurement probes.

Fig. 1

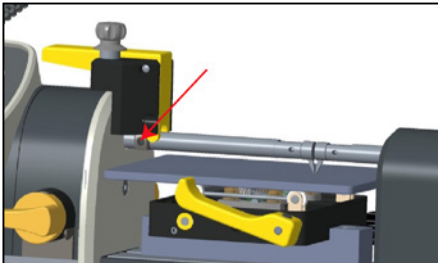
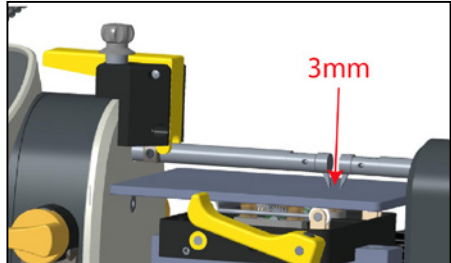


Fig. 2



9.3. Use

- Lower the table and set up the depth stop using the knob (6) in order to let the necessary gap to introduce the part to be measured
- Place the part to be measured and set up the anvils opening with the knob (3).
- Lift the table again with the knob (6) to the required position
- Make the measurement using lever (2).
- Use lever (1) for quick release of the table. Once setting is done, use only the quick release lever (1) to measure the next parts.

E

9.4. Specifications

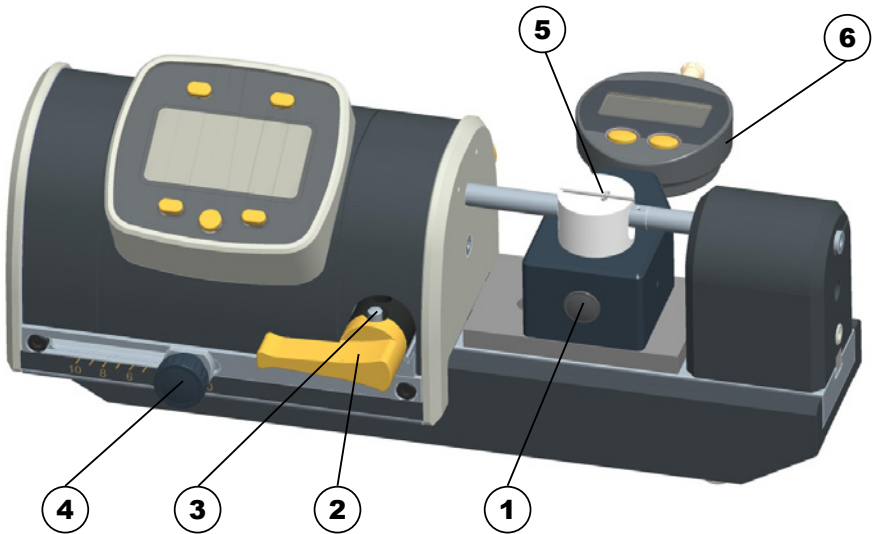
Type	25	50
Dimension table	58x70	92x70
Release	7mm	
Measuring range	3mm	
Measurement capability	25mm	

Remark

The table may touch the anvils in the up position and damage them.

9.5. Options

Table can be adjusted in a lower position in order to measure thicker components. A set of spacers (8) is delivered with the table. A dial indicator (9) with special contact point can be mounted on the table.



10.1. Description

1. Height adjustment knob
2. Release lever
3. Optional stops (front and rear of the unit)
4. Force adjustment knob
5. Measurement probes (depending on measurement range)
6. Height adjustment comparator

10.2. Adjusting measurement force

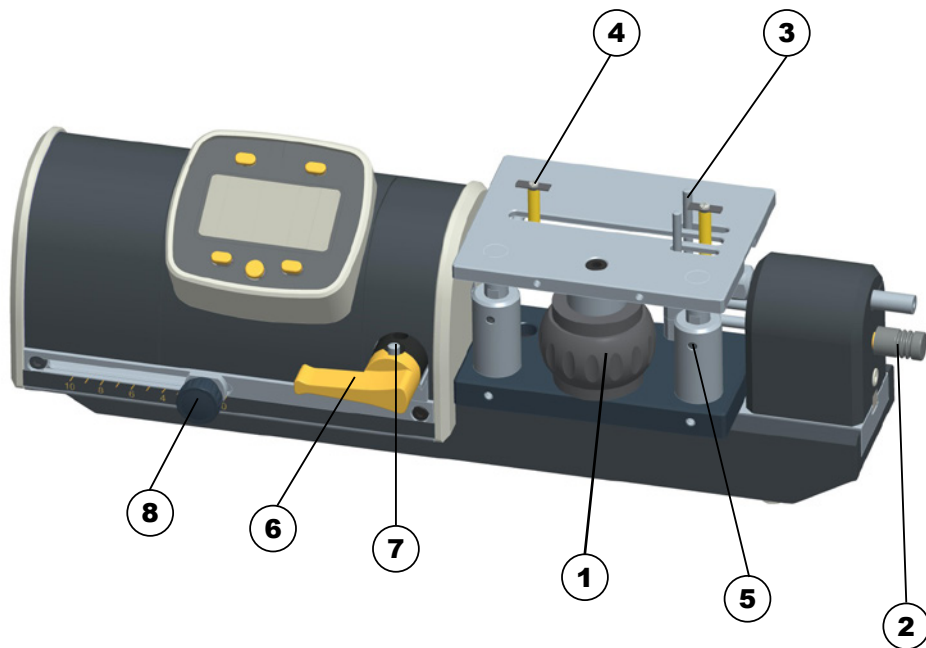
- Set the measurement force using the force setting knob (4), never change the force setting during a measurement procedure (PRESET and workpiece measurements).
- Adjusting measurement as indicated in chapter 5

10.3. Use

- Set the measurement height using the height measurement knob (1)..
- Release the measurement probes using the release lever (2).
- Place the workpiece on the table
- Release the measurement probes, the workpiece will be centred automatically by the probes.
- If necessary repeat the procedure until the workpiece is correctly positioned.

Note

The axis return run may be limited using the optional stops (3).



11.1. Description

1. Height adjustment knob
2. Centring lever
3. Centring tool
4. Fixed probe
5. Locking screw
6. Release lever
7. Optional stops (front and rear of the unit)
8. Force adjustment knob

11.2. Adjusting measurement force

- Set the measurement force using the force setting knob (8), never change the force setting during a measurement procedure (PRESET and workpiece measurements).
- Enter the PRESET value (Chap 3.3) depending on the desired gauge ring, as near as possible to the measurement to be made.
- Adjusting the measurement using the gauge ring (see use), and recalling the SET preset.

E

11.3. Use

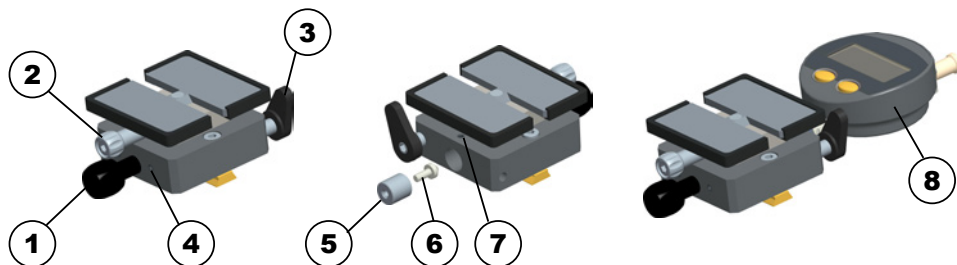
- Set the measurement height using the height measurement knob (1).
- Release the measurement probes using the release lever (6).
- Place the workpiece on the table
- Release the measurement probes
- Centre the workpiece using the centring lever (2), repeat the procedure until the workpiece is correctly positioned.

Note

The table can be locked into a set position using the locking screws (5).

The axis return run may be limited using the optional stops (7).

12.1. XZ Table



12.1.1. Description

1. Fine height adjustment screw
2. Plate locking screw
3. Horizontal locking lever
4. Height locking screw
5. Closure plug
6. Comparator probe
7. Plug / comparator retaining screw
8. Vertical movement indication comparator (sold separately)

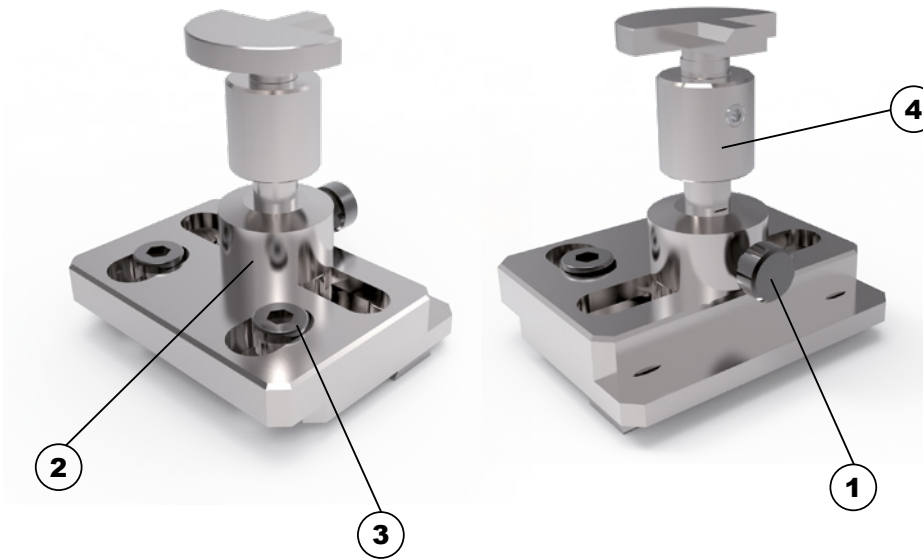
12.1.2. Use :

- After positioning it horizontally in the desired location it lock the table using the locking lever (3)
- Unlock the plate using the locking screw (2) and move it manually close to the desired height.
- Adjust the desired height accurately using the fine adjustment screw (1). Lock as needed using the locking screw (4)

12.1.3. Fitting the comparator: (option) :

- Unlock the locking screw (7) and remove the closure plug (5) with the assistance of an M2.5 screw if necessary.
- Remove the special conical contact point (6) behind the plug and screw on the comparator measurement plunger.
- Raise the table as far as it will go using the fine adjustment screw (1) before inserting the comparator until it stops.
- Moderately tighten the locking screws (7)

12.2 Table XYZ



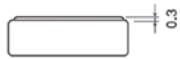
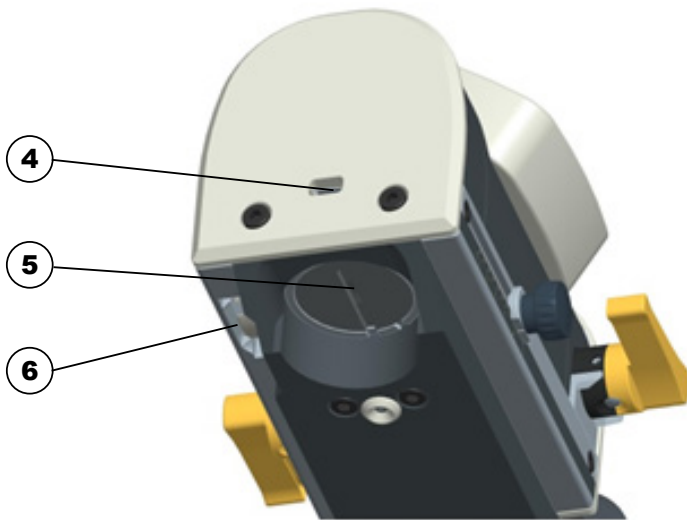
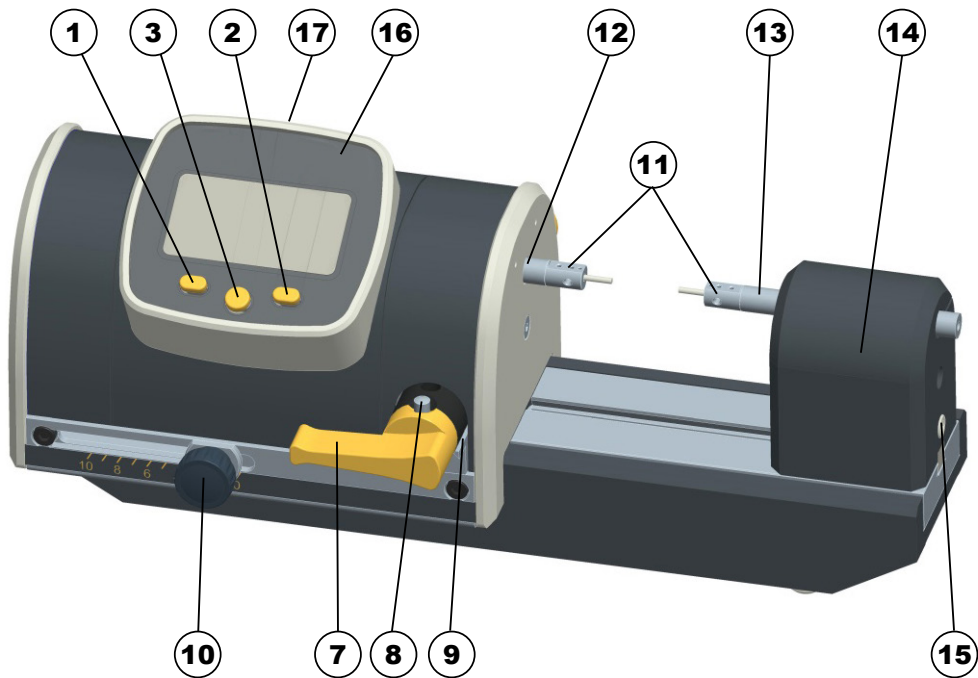
12.2.1. Description

1. Vertical locking screw
2. Movable pillar
3. Fixing screw
4. Extension

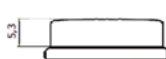
12.2.2. Use:

- The pillar (2) can be moved laterally. It's position is maintained by friction.
- Unlock the screw (1) to adjust the height according to the parts and anvils.

F



CR2477



CR2477N



Description

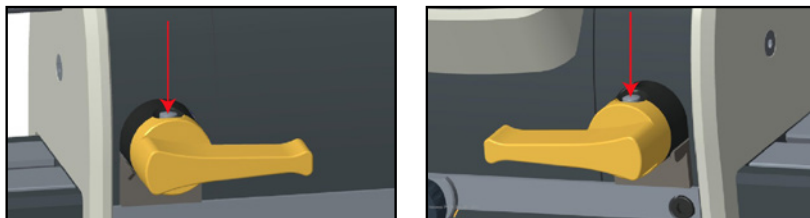
1. Bouton MODE
2. Bouton SET
3. Bouton "Favoris"
4. Prise mini-USB
5. Logement pour pile CR2477 ou CR2032.
6. Adaptateur CR2477/CR2032
7. Levier de dégagement débrayage
8. Arrêt optionnel
9. Butée pour arrêt
10. Molette pour réglage de force
11. Vis de blocage des touches Ø1.5mm
12. Axe de mesure mobile pour touche Sylvac Ø1.5 et compatible Cary
13. Axe de mesure fixe pour touche Sylvac Ø1.5 et compatible Cary
14. Contre poupée déplaçable
15. Levier de blocage du positionnement de la contre-poupée
16. Unité de mesure
17. Logement pour câble Proximity

F

Prise en main

Déblocage des axes du mode transport

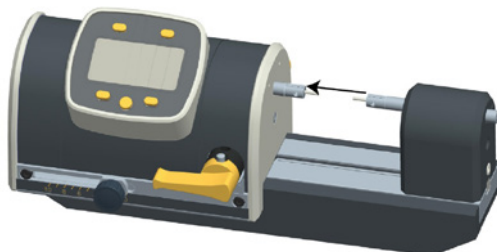
Mettre les 2 arrêts optionnels devant et derrière l'appareil en position médiane.



1ère mise en route

Lors de la 1ère utilisation, arrêt complet (off) ou changement de batterie, l'instrument demande une nouvelle prise de référence (--rEF--).

Déplacer l'axe de mesure en fin de course, (complètement rentré).



1. Remarques générales

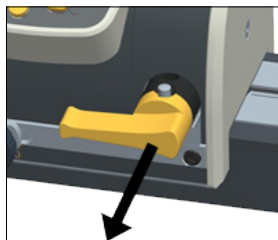
- Les touches assemblées d'origine sur les deux axes de mesure sont rodées en position afin de garantir une mesure optimum. Tout démontage de ces touches peu entraîner une réduction de précision de l'instrument.
- La contre-poupée a été positionnée afin d'avoir une précontrainte de 0.5mm en position zéro des touches.
- L'action sur le levier permet le dégagement des touches. Un relâchement trop brutal du levier de dégagement peut avoir une influence néfaste sur les touches et la précision de mesure.
- Il est conseillé de vérifier régulièrement la référence (l'origine) en cours d'utilisation.
- Veiller à la propreté de l'axe mobile. Au besoin, nettoyer au moyen de benzine légère. Il est déconseiller d'utiliser un chiffon pouvant laisser des particules résiduelles.
- Certains composants, notamment les vis de serrage de la poupée fixe sont scellées après montage et en conséquence ne doivent pas être démontées. Toute intervention d'une tierce personne sur ces composants peut entraîner la perte de la garantie.

F

2. Utilisation

2.1 Levier de dégagement réglable

Le dégagement de l'axe de mesure mobile se fait par le levier débrayable (7) La position du levier est adaptable en fonction de l'endroit de la mesure. Pour Modifier la position, tirer sur le levier et l'amener dans la position voulue.



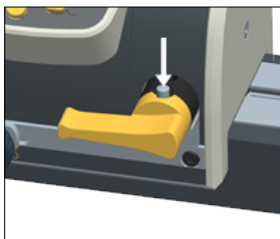
2.2 Butées d'arrêt optionnel

Le PS16V2 possède 2 butées d'arrêt optionnel (devant/derrière l'appareil), leurs combinaison permet la limitation de la course dans les 2 directions (ouverture / fermeture) afin d'adapter la position et la course de mesure selon la pièce.

Cela évite aux touches de revenir toujours en contact (0) et de refaire à chaque mesure la totalité de la course. L'enclenchement de la butée se fait en poussant le bouton radial (8).

Les positions d'arrêt sont réglés en positionnant le levier de dégagement (voir 2.1).

En cas d'utilisation des 2 butées, le levier de dégagement a une position donnée non modifiable.

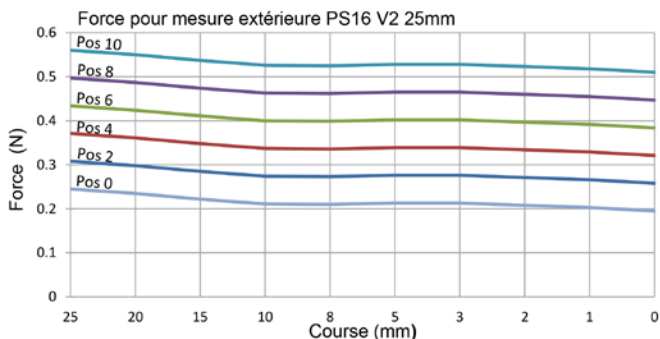


2.3. Force de mesure

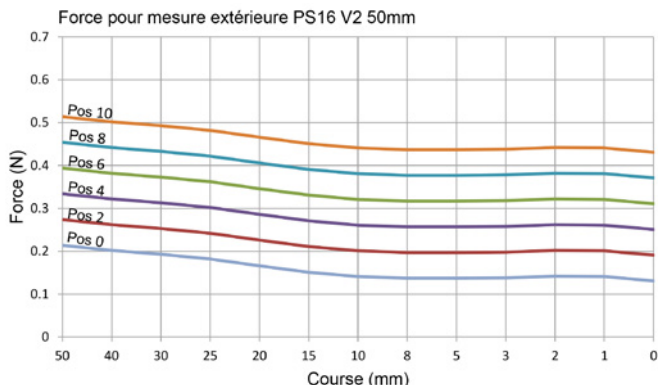
La force de mesure est réglable en déplaçant la molette de réglage (10), dévisser celle-ci, (~1/2 tour), la positionner à la tension voulue et revisser.

Optimiser le réglage de la force en fonction du poids et de la déformation des pièces. Ne pas modifier la force en cours de mesure.

Force pour mesure extérieure PS16 V2 25mm

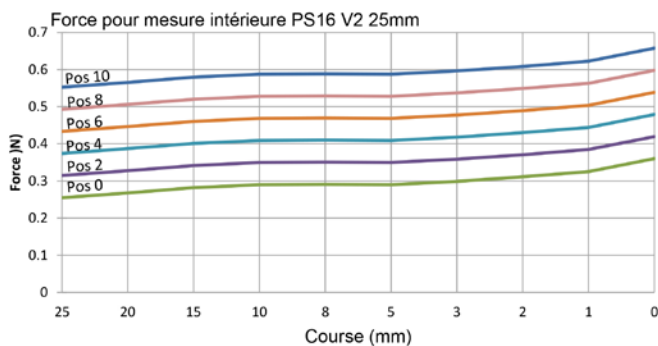


Force pour mesure extérieure PS16 V2 50mm

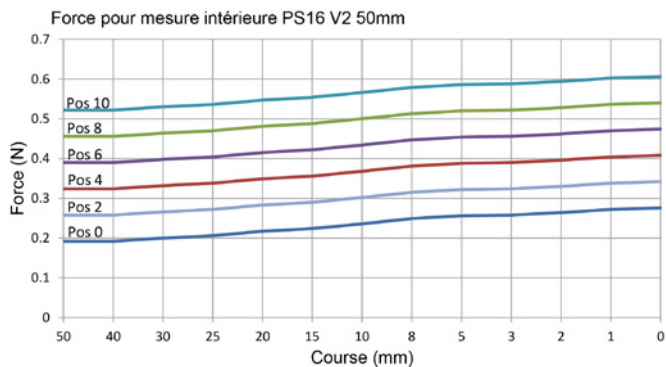


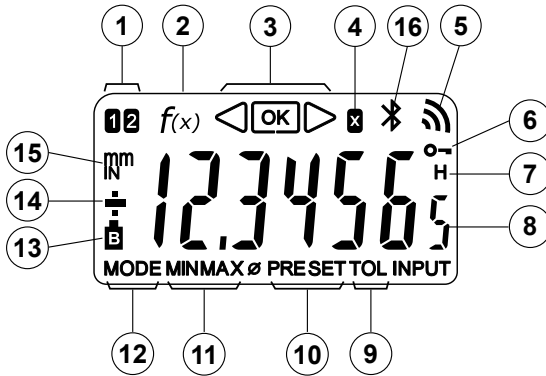
F

Force pour mesure intérieure PS16 V2 25mm



Force pour mesure intérieure PS16 V2 50mm






F

3.1. Description

1. Indicateur de référence active
2. Mode de mesure avec fonction 3 points
3. Indicateur de tolérances
4. Facteur de multiplication
5. Envoi de données
6. Blocage du clavier
7. Gel de la valeur de mesure
8. Affichage 6 digits
9. Mode tolérances
10. Mode Preset
11. Mode Min/Max/Delta
12. Indication du menu MODE
13. Batterie faible
14. Indicateur + / -
15. Unité de mesure mm/INCH
16. Connexion *Bluetooth*[®]

3.1.1. Les fonctionnalités de l'instrument

- **MODE** L'instrument possède 2 modes de travail : fonctions de base (avec accès direct) et fonctions avancées.
En plus des fonctions de configuration, vous pouvez accéder à 2 référence de travail, au mode MIN, MAX et DELTA (TIR), à l'affichage des tolérances, ou à l'introduction d'un facteur de multiplication (voir chap. 3.3 et 3.4)
-  Le bouton «favori» permet d'attribuer un accès direct à la fonction principalement utilisée (voir chap. 3.6)
- **SET** Le bouton «SET» permet d'attribuer une valeur de Preset, de réinitialiser le mode MIN/MAX, de quitter une sélection, et de gérer l'extinction de l'instrument. Par défaut, le mode SIS permet l'extinction automatique sans perte de l'origine. (voir chap. 6)

3.1.2. Personnalisation des fonctions

Vous avez la possibilité d'activer ou désactiver certaines fonctions de l'instrument. (nécessite une connexion, voir chap. 6.2)

3.1.3. Paramètres de transmission de données

4800Bds, 7 bits, parité paire, 2 stop bits

3.2. Démarrer, prise de référence

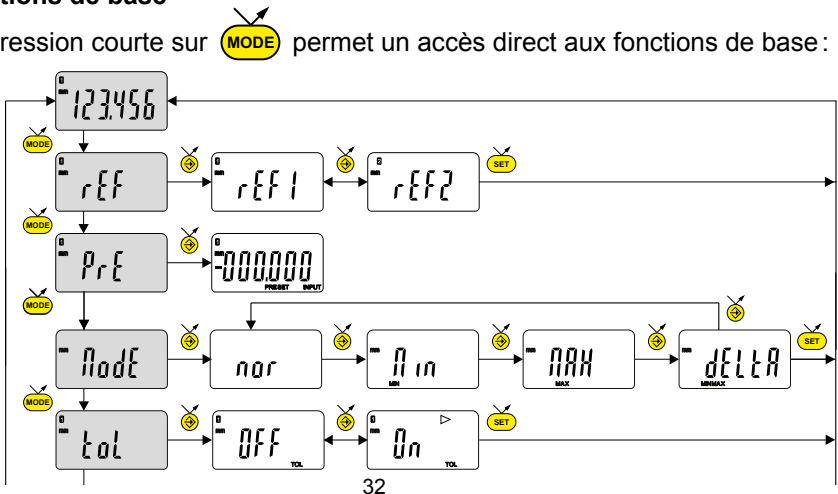
Presser un bouton.

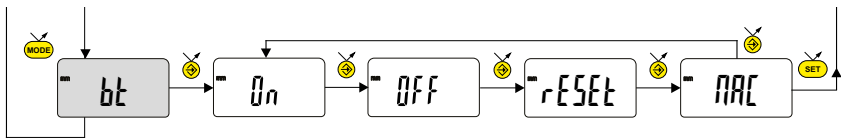
Lors de la première utilisation, après un remplacement de batterie, ou après une extinction complète (OFF), l'instrument demande une nouvelle prise de référence (---rEF---). Il suffit de rentrer l'axe de mesure jusqu'en fin de course.

Pour une connexion *Bluetooth*® (voir chap. 4).

3.3. Fonctions de base




Chaque pression courte sur **MODE** permet un accès direct aux fonctions de base :





rEF Choix de la référence (REF1 ou REF2)

PrE Introduction d'une valeur de Preset

 prochain digit
  0...9
  sauve le PRESET

ModE Mesure du minimum Maximum et Delta (TIR)

tol Affichage des tolérances
(introduction des limites de tolérance, voir chap. 3.5)


bt *Bluetooth*[®] ON/OFF ou affichage adresse MAC

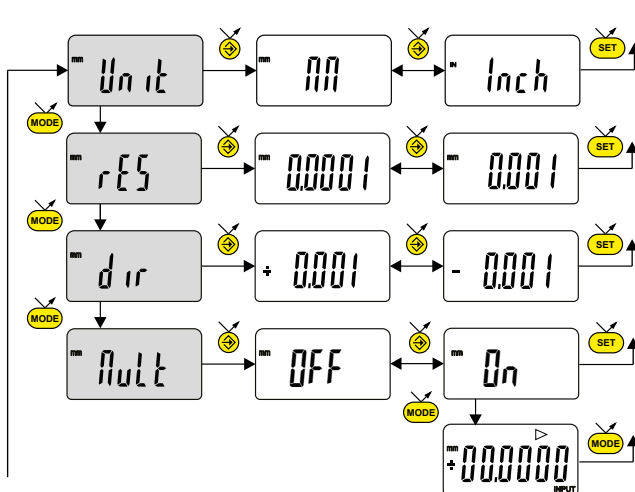
Remarque :

Il est possible d'attribuer une valeur de preset différente à chacune des 2 Références. De même, on peut attribuer des limites de tolérances différentes sur les références 1 et 2.

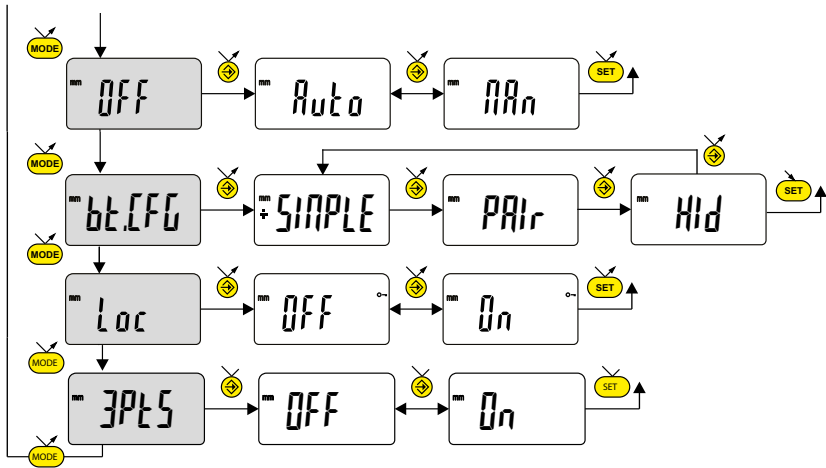
3.4. Fonctions avancées

Une pression longue (>2s) sur  permet d'accéder aux fonctions avancées.

Puis, chaque pression courte sur  accède à la fonction souhaitée :



3.4. Fonctions avancées (suite)




Unit Sélection de l'unité (mm ou Inch)

rES Choix de la résolution (dépend de la version)



dir Choix de direction de mesure (sens positif or négatif)

MULT Introduction d'un facteur de multiplication autre que 1.0000

 prochain digit
  0...9
  sauver MULT

OFF Mode d'extinction automatique
MMn = désactivé, *Auto* = actif


bt.LFG Sélection *Bluetooth*[®] du profil (dépend de la version).
 (voir chap. 4 pour plus d'informations)
 Le signe \pm indique le profil est actuellement activé.

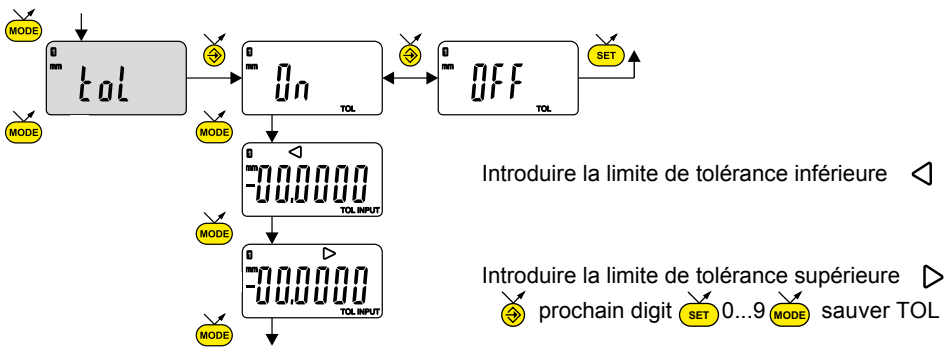
Loc Blocage du clavier. Seule la touche favori  reste active
 (pour désactiver le blocage du clavier, presser  pendant 5s)

3Pt5 Mesure diamètres en 3 points (pour version 3 points)

3.5. Introduction des limites de tolérances

Pour introduire ou modifier les limites de tolérances, il faut sélectionner le mode

tol \rightarrow *On*, suivi d'une pression courte sur 



Remarque :

Dans le cas de mesure de cotes d'intérieur, on peut croiser les indicateurs (rouge et jaune) en inversant l'ordre d'introduction des limites de tolérances. (limite inférieure > limite supérieure).

Il est possible d'introduire des limites de tolérances différentes sur les REF1 et REF2.

Remarque :

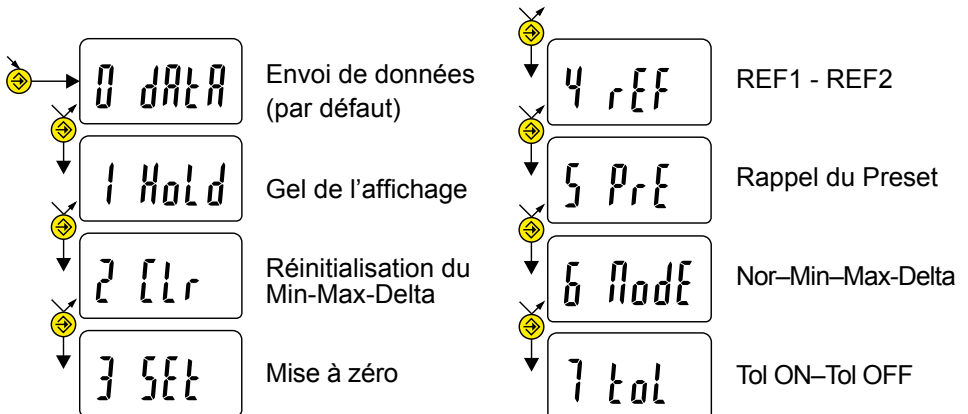
Il est également possible d'afficher les limites de tolérance lorsque l'instrument travaille en mode MIN, MAX ou DELTA (TIR)

Si aucune limite de tolérance n'a été définie par l'utilisateur, l'instrument affichera les indicateurs de limites de tolérances ◀ [OK] ▶ , mais sans activer les indicateurs lumineux (rouge – vert - jaune)

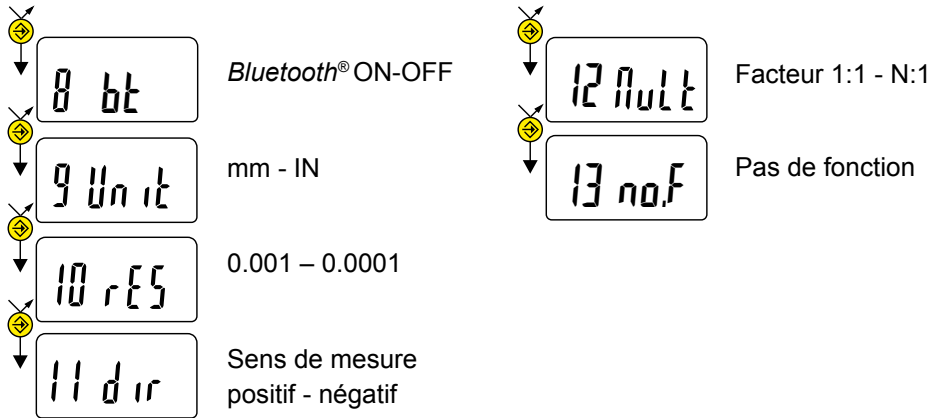
3.6. Touche favori

La touche «favori» permet l'accès direct à une fonction pré définie et peut être configurée selon les besoins de l'utilisateur.

Pour attribuer une fonction à la touche «favori», effectuer une pression longue (>2s) sur  , puis sélectionner la fonction souhaitée :



3.6. Touche favori (suite)



Validation de la sélection : Par une pression longue sur ou une pression courte sur ou .

Remarque :

L'attribution de la fonction peut également se faire par RS 232, avec la commande <FCT + No.° de fonction> (FCT 0..9 A..F)
 exemple : Changement d'unité = <FCT9>, inverser la direction de mesure = <FCTB>

4. Configuration du Bluetooth®



La procédure de connexion a été pensée au plus simple et se distingue par les 3 états ci-dessous :

- Symbole éteint mode déconnecté
- Symbole clignote mode découverte
- Symbole allumé mode connecté

Les options suivantes peuvent être sélectionnées pour contrôler le module Bluetooth®.

- On Activer le module Bluetooth® (démarrer le mode découverte).
- OFF Désactiver le module Bluetooth® (terminer la connexion active).
- rESEt Effacer les informations d'appairage.
- MAC Afficher l'adresse MAC (Media Access Control).

Trois profils Bluetooth® sont disponibles.

- SIMPLE Profil non appairé (par défaut).
- PAIR Profil appairé et sécurisé.
- HiD Mode clavier virtuel (compatible avec un équipement récent sans installation d'un pilote).

- Remarque:

Les informations d'appairage Bluetooth® sont effacées lorsque le profil est modifié.

Connexion :

- 1 S'assurer que l'application et le matériel *Bluetooth*[®] Smart compatibles sont actifs (PC, unité de mesure).
- 2 Démarrer l'instrument. Par défaut le module *Bluetooth*[®] est actif et l'instrument est connectable (mode découverte).
- 3 Dès que l'instrument est détecté la connexion est automatique. Si la connexion n'a pas été établie durant les 120s, réactiver le module *Bluetooth*[®] via le menu *bt / On*
- 4 L'instrument est prêt à communiquer (mode connecté)

Seulement avec le profil d'appairage :

L'appairage de l'instrument avec le maître se fait automatiquement à la première connexion. Pour connecter un instrument à un nouveau maître (nouvel appairage), les informations d'appairage doivent être effacées via le menu *bt / rEffEt*.


F

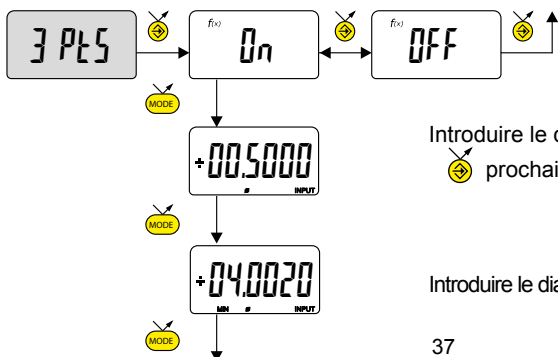
4.1 Spécification *Bluetooth*[®]




Bande de fréquence	2.4GHz (2.402 - 2.480GHz)
Modulation	GFSK (Gaussian Frequency Shift Keying)
Puissance de sortie max.	Classe 3: 1mW (0dBm)
Portée	Espace ouvert : jusqu'à 15m Environnement industriel : 1-5m
Autonomie	Continuous : Jusqu'à 2 mois - Toujours connecté avec 4 valeurs /sec. Saver : jusqu'à 5 mois - L'instrument envoie la valeur quand la position change. Blind/Push : jusqu'à 7 mois - La valeur est envoyée de l'instrument (bouton) ou demandée par ordinateur.

Autres spécifications sur le site du fabricant

5. Ajustage du système de mesure 3 points (pour version 3 points)

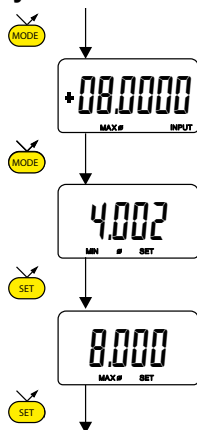
Pour ajuster le système de mesure 3 points, il faut sélectionner le menu 3 Pts ON suivi d'une pression courte sur 



Introduire le diamètre des piges
 prochain digit  0...9  sauve la valeur

Introduire le diamètre de l'étalon 1

5. Ajustage du système de mesure 3 points (suite)



Introduire le diamètre de l'étalon 2

Mesurer étalon 1 ¹⁾

Validation de la mesure de l'étalon 1

Mesurer étalon 2 ¹⁾


Validation de la mesure de l'étalon 2

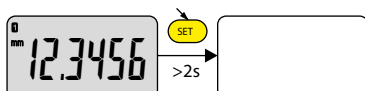
Le PS16 est prêt à mesurer. Le preset (fonction PrE) des références rEF 1 et rEF 2 est réglé à la valeur des étalons.

¹⁾ dès que la touche est actionnée, l'affichage revient en mode mesure pour permettre d'optimiser le positionnement de l'étalon.

6. Extinction


L'unité de mesure se met automatiquement en stand-by après 10 minutes de non utilisation, sauf si le mode Auto OFF est désactivé (voir chap.3.4 fonctions avancées)

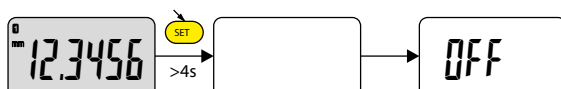
Vous pouvez forcer le mode stand-by, par pression longue (>2s) sur 





En mode stand-by, la valeur d'origine est conservée par le capteur (mode SIS), et l'instrument redémarre automatiquement par un mouvement de la touche de mesure ainsi que par commande RS, ou par pression sur un bouton.

Il est possible d'éteindre complètement l'instrument pour une longue période de non utilisation, mais cela nécessitera une prise de référence à l'enclenchement (perte de l'origine):

Effectuer une pression longue (>4s) sur 



6.1. Réinitialisation de l'instrument

A tout moment, il est possible de restaurer les réglages initiaux de l'instrument par une pression longue (>4s) simultanée sur  et  jusqu'à l'affichage du message `rE5Et`. L'instrument demande alors une nouvelle prise de référence

6.2. Personnalisation de l'instrument

Il est possible de personnaliser l'accès aux fonctions de votre instrument, pour plus d'information voir site web du fabricant (nécessite une connexion de votre instrument, via un câble USB, Proximity ou *Bluetooth*®.)

Possibilités :

- Désactiver ou activer les fonctions souhaitées
- Modifier l'accès aux fonctions avancées (mise en accès direct)

6.3. Connexion de l'instrument

L'instrument peut être connecté à un périphérique, via un câble USB, Proximity ou via *Bluetooth*®.

Possibilité de transmettre les valeurs mesurées, et piloter l'instrument à l'aide de rétro-commandes prédéfinies (liste des commandes principales, voir chap. 7)

Remarque :

En mode Tolérance, les indicateurs lumineux des limites de tolérances ne restent allumés que quelques secondes lorsque la mesure est stabilisée. Par contre, ils resteront allumés en permanence si l'instrument est connecté et alimenté par le connecteur USB.

7. Commandes principales

Sélection et configuration

CHA+ / CHA-	Changement direction de mesure
FCT0 ...9...A...F	Attribution fonction «favori»
MM / IN	Changement unité de mesure
KEY0 / KEY1	Active / désactive le blocage clavier
MUL [+/-]xxx.xxxx	Modification facteur de multiplication
PRE [+/-]xxx.xxx	Modification valeur de preset
REF1 / REF2	Changement de la référence active
STO1 / STO0	Active / désactive le HOLD
TOL ON / TOL OFF	Active / désactive les tolérances
ECO1 / ECO0	Active / désactive le mode économique
LCAL dd.mm.yy	Modifie date dernière calibration
NCAL dd.mm.yy	Modifie date prochaine calibration
NUM x...x (jusqu'à 20 car.)	Modifie le numéro de l'instrument
TOL +/-xx.xxxx +/-yy.yyyy	Introduction limites de tolérances actuelles
MIN / MAX / DEL / NOR	Sélection mode MIN, MAX, Delta, Normal
CLE	Réinitialisation du MIN, MAX ou Delta
UNI1 / UNI0	Active / désactive le changement d'unité
OUT1 / OUT0	Active / désact. transmission données en continu
PRE ON / PRE OFF	Active / désact. la fonction Preset
PRE	Rappel du Preset
SET	Mise à zéro
RES1 / RES2	Changement résolution
SBY xx	xx nombre de minutes avant stand-by
BT0/BT1	Active/désactive le mode <i>Bluetooth</i> ®
BTRST	Réinitialisation de l'appairage

Interrogation

CHA?	Sens de mesure?
FCT?	Fonction «favori» active?
UNI?	Unité de mesure active?
KEY?	Blocage clavier?
MUL?	Facteur de multiplication?
PRE?	Valeur de preset?
REF?	Référence active?
STO?	Etat fonction HOLD?
TOL?	Valeur des limites de tol actuelles?
ECO?	Mode économique courant
LCAL?	Date dernière calibration?
NCAL?	Date prochaine calibration?
NUM?	Numéro de l'instrument?
?	Valeur actuelle? (mode Tol, valeur suivie de <=>)
MOD?	Mode actif (MIN, MAX, Delta ou Normal)?
SET?	Paramètres principaux de l'instrument?
ID?	Code d'identification de l'instrument?

Fonctions de maintenance

BAT?	Etat pile (BAT1=Ok, BAT0=pile faible)
OFF	Extinct. complète (réveil par bouton ou RS)
RST	Réinitialisation de l'instrument
SBY	Mise en Stand by de l'instrument (SIS)
VER?	Révision et date du firmware

MAC? Adresse MAC du module *Bluetooth*®

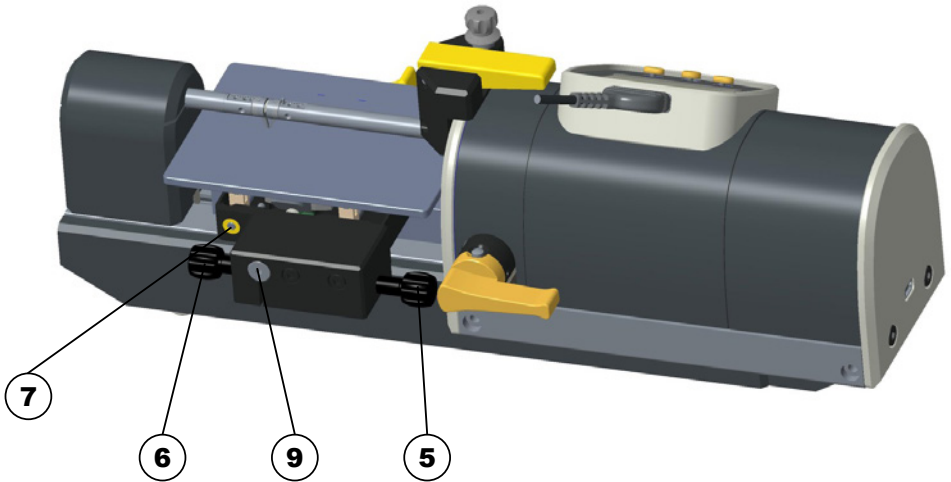
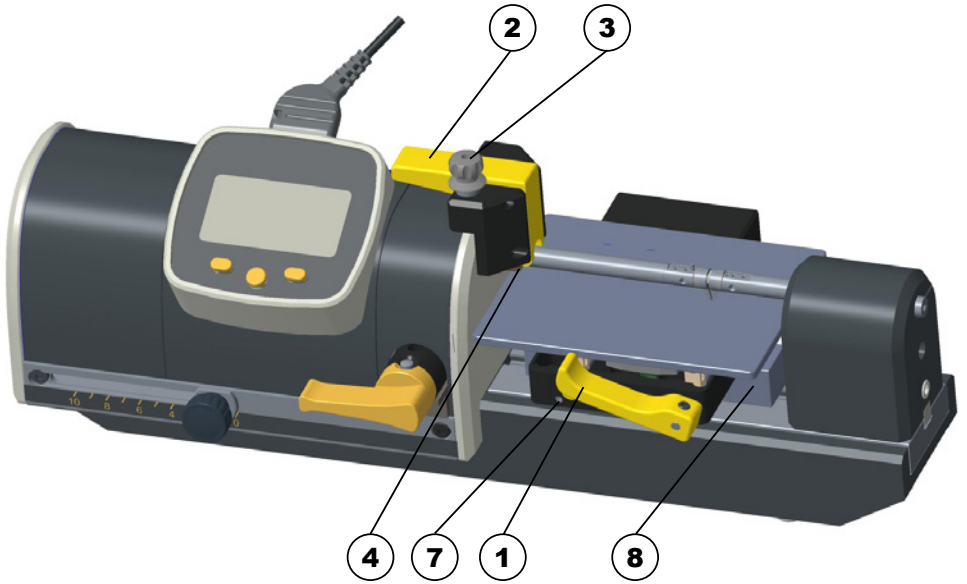
8. Spécifications

Etendue de mesure :	25mm	50mm
Erreur maximum :	1.5µm	2.0µm
Répétabilité :	0.2µm	0.3µm
Poids (sans accessoires) :	3550g	4180g
Force de mesure	0.15 - 0.65N	0.15 - 0.60N
Nombre de mesure par seconde :	mesure: 4.4 mes/s	mode MIN/MAX: 5.3 mes/s
Unité de mesure :	métrique / anglaise (Inch)	
Preset maximum (résolution 0.001mm) :	±999.999 mm / ±39.99995 IN	
Preset maximum (résolution 0.0001mm) :	±99.9999 mm / ±3.999995 IN	
Système de mesure :	Sylvac inductive system (breveté)	
Alimentation :	Batterie lithium 3V, type CR2032 (capacité 220mAh) ou batterie lithium type CR2477 (950mAh) ou USB	
Consommation moyenne :	155µA	
Autonomie moyenne :	4'000 heures avec <i>Bluetooth</i> [®] enclenché, voir chapitre 4.1	
Sortie de données :	USB compatible RS232 / <i>Bluetooth</i> [®] 4.0 (voir chapitre 4)	
Température de travail (stockage) :	+5 à +40°C (-10 à +60°C)	
Compatibilité électromagnétique :	selon EN 61326-1	
Spécification IP (selon IEC60529) :	IP 40	
Système de touches	Ø1.5, compatible Cary	

F

9. Version Goutte

F



9.1. Description

1. Levier de dégagement rapide
2. Levier de prise de mesure
3. Molette de réglage de la plage de mesure
4. Bague de positionnement de zone de mesure
5. Butée d'arrêt réglable, position haute
6. Butée d'arrêt réglable, position basse
7. Vis de fixation de la table (avant et arrière)
8. Cale de hauteur
9. Emplacement pour comparateur (bouchon)

F

9.2. Prise de référence (--rEF--)

Il faut libérer la bague de positionnement de mesure (débloquer la vis), pour pouvoir rentrer l'axe en fin de course et prendre la référence (--rEF--). Après la prise de référence, bloquer à nouveau la bague en laissant 3mm entre les touches.

Fig. 1

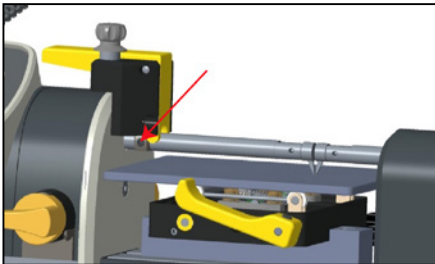
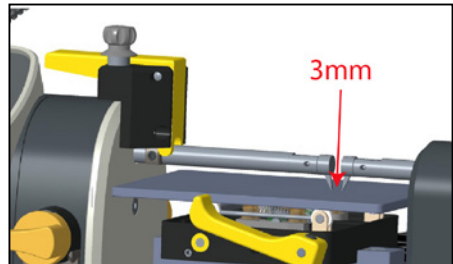


Fig. 2



9.3. Utilisation

- Abaisser la table en utilisant la butée d'arrêt (6) pour permettre l'introduction de la pièce sous les touches.
- Positionner la pièce à l'endroit de la mesure et régler l'ouverture des touches avec la molette (3).
- Remonter la table (avec 6) jusqu'à hauteur de mesure.
- Effectuer la mesure en actionnant le levier (2).
- Utiliser le levier (1) pour dégager la table.
- Pour mesurer d'autres pièces, utiliser uniquement le levier de dégagement rapide pour permettre l'accès aux touches.

F

9.4. Spécifications

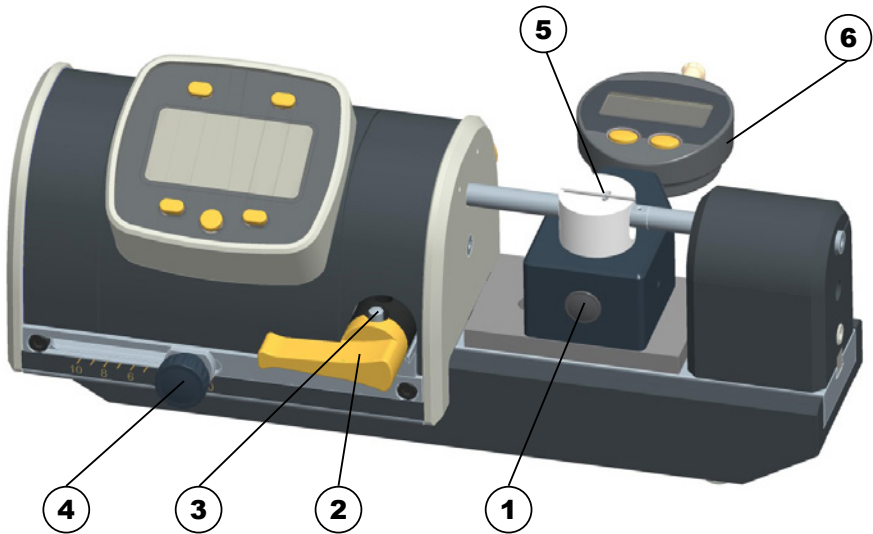
Type	25	50
Dimensions de la table	58x70	92x70
Course de dégagement rapide	7mm	
Etendue de mesure	3mm	
Capacité de mesure	25mm	

Remarque:

La table peut toucher les touches en position haute et les détériorer.

9.5. Options

La table peut être montée dans une position basse pour permettre la mesure de pièces plus épaisses, un jeu de cales (8) pour cette position est livré avec la table et un comparateur peut être monté à l'arrière de la table (9), une touche spécifique est fixée sur l'intérieure du bouchon.



10.1. Description

1. Molette de réglage de hauteur
2. Levier de dégagement
3. Butées optionnelles (devant et derrière l'appareil)
4. Molette pour réglage de force
5. Touches (selon plage de mesure)
6. Comparateur pour réglage de hauteur

10.2. Ajustage de la force de mesure

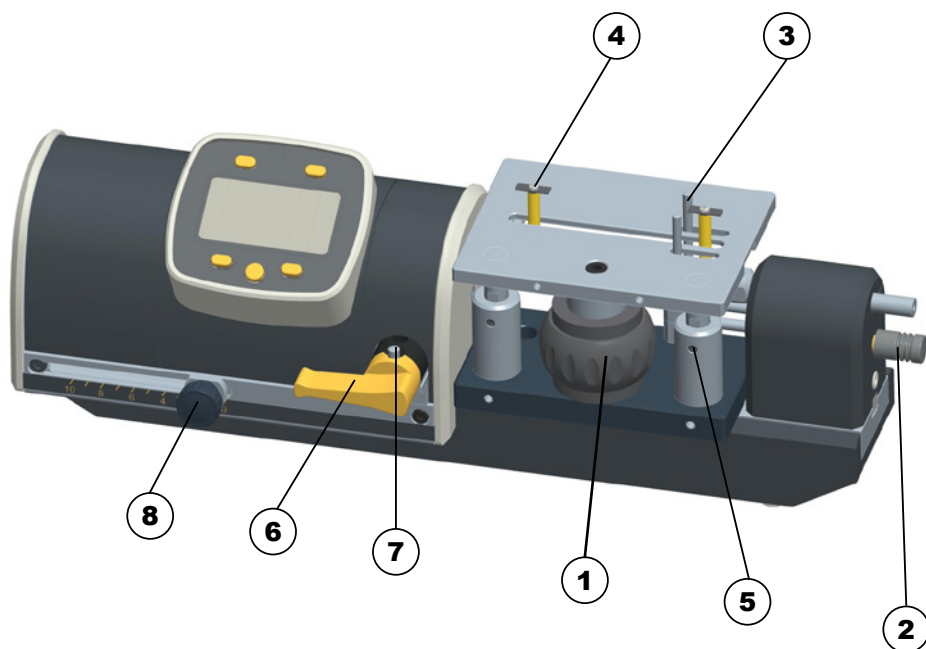
- Régler une force de mesure avec la molette de réglage de force (4), ne plus changer la force au cours d'un cycle de mesure (PRESET et mesures des pièces).
- Ajustage de la mesure selon chapitre 5

10.3. Utilisation

- Régler la hauteur de mesure avec la molette de réglage de hauteur (1).
- Dégager les touches de mesure avec le levier de dégagement (2).
- Poser la pièce sur la table
- Relâcher les touches de mesure, les pièces sont autocentrées par les touches.
- Eventuellement répéter pour que la pièce prenne parfaitement sa position.

Remarque

La course de retrait de l'axe peut être limitée à l'aide des butées optionnelles (3).



11.1. Description

1. Molette de réglage de hauteur
2. Tirette de centrage
3. Centreur
4. Touche vissée
5. Vis de blocage
6. Levier de dégagement
7. Butées optionnelles (devant et derrière l'appareil)
8. Molette pour réglages de force

11.2. Ajustage de la force de mesure

- Régler une force de mesure avec la molette de réglage de force (8), ne plus changer la force au cours d'un cycle de mesure (PRESET et mesures des pièces).
- Introduire la valeur de PRESET (Chap 3.3) selon la bague étalon voulue, au plus près de la mesure à effectuer.
- Ajustage de la mesure avec bague étalon (voir utilisation), et rappelle du preset SET.

F

11.3. Utilisation

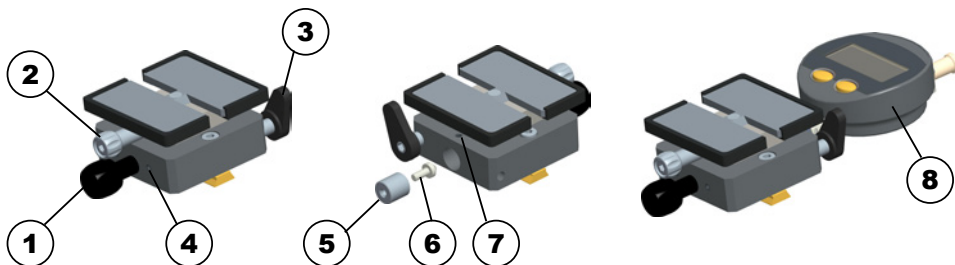
- Régler la hauteur de mesure avec la molette de réglage de hauteur (1).
- Dégager les touches de mesure avec le levier de dégagement (6).
- Poser la pièce sur la table
- Relâcher les touches de mesure
- Centrer la pièce avec la tirette de centrage (2), répéter pour que la pièce prenne parfaitement sa position.

Remarque

La table peut être bloquée dans une position définie en utilisant les vis de blocage (5).

La course de retrait de l'axe peut être limitée à l'aide des butées optionnelles (7).

12.1. Table XZ



12.1.1. Description

1. Vis de réglage fin en hauteur
2. Vis de blocage du plateau
3. Levier de blocage horizontal
4. Vis de blocage de hauteur
5. Bouchon de fermeture
6. Touche pour comparateur
7. Vis de maintien du bouchon/comparateur
8. Comparateur pour indication du déplacement vertical (vendu séparément)

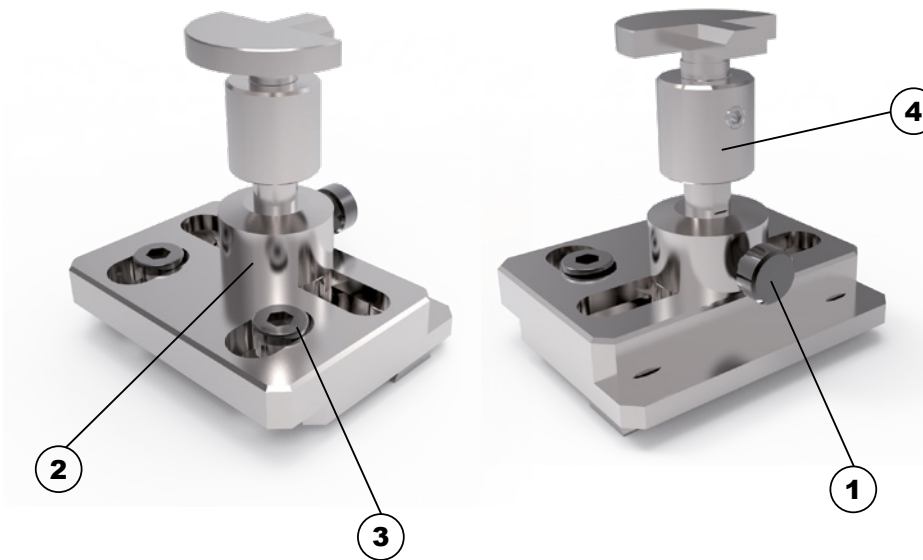
12.1.2. Utilisation :

- Verrouiller la table au moyen du levier de blocage (3) après l'avoir positionné horizontalement à l'endroit désiré.
- Débloquer le plateau par la vis de blocage (2) et l'approcher manuellement à la hauteur désiré.
- Ajuster précisément la hauteur souhaitée au moyen de la vis de réglage fin (1). Au besoin, bloquer par la vis de blocage (4)

12.1.3. Mise en place du comparateur (option) :

- Débloquer la vis de blocage (7) et retirer le bouchon de fermeture (5) en s'aidant d'une vis M2,5 si nécessaire.
- Retirer la touche cône spéciale (6) à l'arrière du bouchon et la visser sur la tige de mesure du comparateur.
- Élever la table à son maximum au moyen de la vis de réglage fin (1) avant d'introduire le comparateur jusqu'à arriver en butée.
- Serrer modérément la vis de blocage (7)

12.2 Table XYZ



F

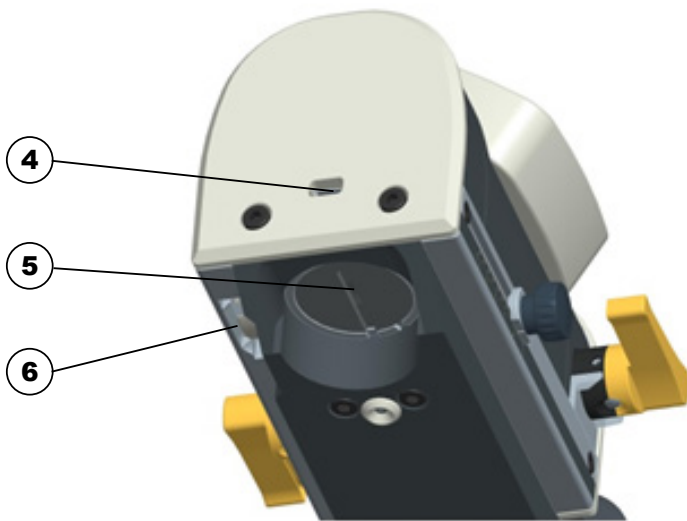
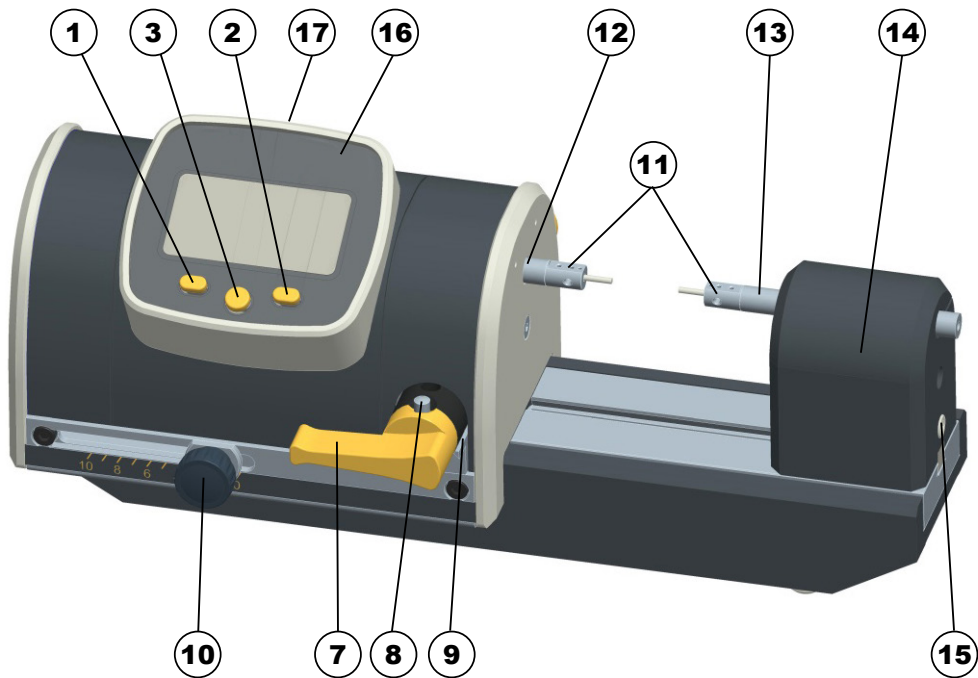
12.2.1. Description

1. Vis de blocage vertical
2. Pilier déplaçable
3. Vis de fixation
4. Rallonge

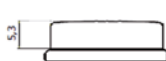
12.2.2. Utilisation:

- Le pilier (2) peut être déplacé latéralement. Sa position est maintenue par friction.
- Débloquer la vis (1) pour adapter la hauteur selon les pièces et la touche.

D



CR2477



CR2477N



Beschreibung

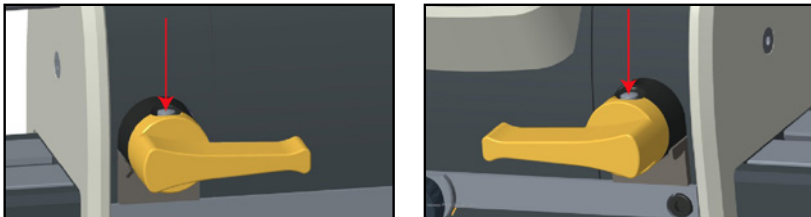
1. MODE-Taste
2. SET-Taste
3. "Favoriten"-Taste
4. Mini-USB
5. Fach für Batterie CR2477 oder CR2032
6. Adapter CR2477/CR2032
7. Schaltbarer Rückziehhebel
8. Optionale Arretierung
9. Arretierungsanschlag
10. Drehknopf zur Kräfteinstellung
11. Feststellschraube der Tastspitzen $\varnothing 1.5\text{mm}$
12. Mobile Messachse für Sylvac Messeinsätze $\varnothing 1.5\text{mm}$ (Cary-kompatibel)
13. Feste Messachse für Sylvac Messeinsätze $\varnothing 1.5\text{mm}$ (Cary-kompatibel)
14. Beweglicher Reitstock
15. Fixierschraube der Reitstock-Positionierung
16. Messeinheit
17. Anschluss für das Proximity-Kabel

D

Inbetriebnahme

Lösen der Achsen aus dem Transportmodus

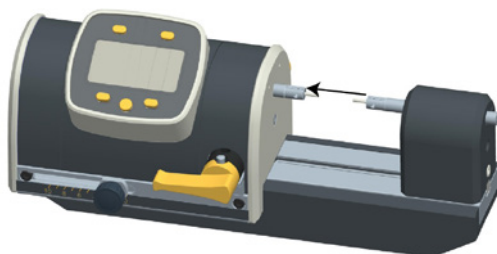
Die 2 optionalen Arretierungen vor und hinter dem Gerät in die mittlere Position bringen.



Erstmalige Verwendung

Bei erstmaliger Verwendung, vollständigem Stillstand (off) oder Batteriewechsel verlangt das Instrument eine neue Referenznahme (--rEF--).

Messachse an das Ende des Messwegs bewegen, (vollständig eingefahren).



1. Allgemeine Bedienungshinweise

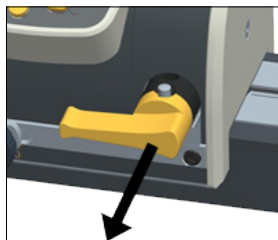
- Die werksseitig montierten Tastspitzen der beiden Messachsen wurden an die Position angepasst, um ein optimales Messergebnis sicherzustellen. Das Entfernen der Tastspitzen kann die Präzision des Messinstruments beeinträchtigen.
- Der Reitstock wurde so positioniert, dass bei Nullstellung der Tastspitzen eine Vorspannung von 0,5mm entsteht.
- Durch Betätigen des Hebels können die Tastspitzen gelöst werden. Ein zu heftiges Aufschlagen der Tastspitzen (durch plötzliches Loslassen des Hebels) kann die Tastspitzen und die Messgenauigkeit stark beeinträchtigen.
- Wir empfehlen, während des Betriebs regelmässig den Referenzpunkt zu überprüfen.
- Achten Sie auf Sauberkeit der mobilen Achse. Reinigen Sie sie, wenn nötig, mit Leichtbenzin. Verwenden Sie kein Tuch, das Restpartikel hinterlassen könnte.
- Bestimmte Komponenten, insbesondere die Feststellschrauben des festen Spindelstocks, wurden nach der Montage versiegelt und dürfen somit nicht gelöst werden. Alle Eingriffe durch Dritte an diesen Komponenten können zum Erlöschen der Garantie führen.

D

2. Verwendung

2.1 Einstellbarer Rückziehhebel

Das Lösen der mobilen Messachse erfolgt über den schaltbaren Rückziehhebel (7). Die Hebelposition kann entsprechend der Messposition angepasst werden. Zur Positionsänderung Hebel ziehen und in die gewünschte Position bringen.

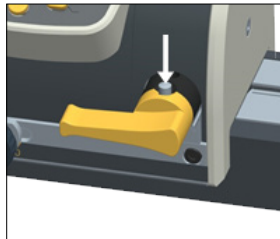


2.2 Optionale Arretierungsanschlage

Die PS16V2 verfugt uber zwei optionale Arretierungsanschlage (vor/hinter dem Gerat). Ihre Kombination ermoglicht die Begrenzung des Messweges in beide Richtungen (Offnen/Schliessen), sodass Messposition und Messweg an das Objekt angepasst werden konnen.

So wird eine stetige Ruckkehr der Tastspitzen an den Punkt (0) und ein erneutes Durchlaufen des gesamten Messweges bei jeder Messung vermieden. Die Aktivierung des Anschlags erfolgt uber den Knopf am Hebel (8).

Die Arretierungspositionen werden durch Positionieren des Ruckziehhebels eingestellt (siehe 2.1). Werden beide Anschlage verwendet, verbleibt der Ruckziehhebel in einer bestimmten, nicht veranderbarer Position.

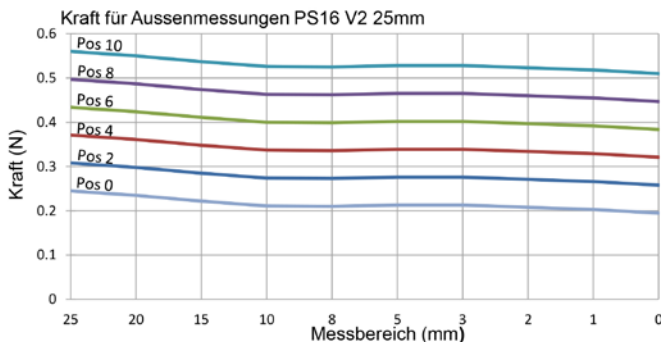


2.3. Messkraft

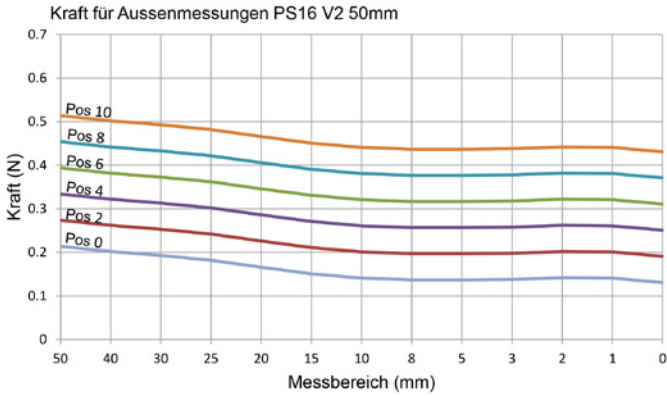
Die Messkraft wird eingestellt, indem zunachst der Drehknopf (10) gelost wird (ca. 1/2 Umdrehung), dann die gewunschte Spannung eingestellt und schliesslich der Drehknopf wieder festgestellt wird.

Krafteinstellung entsprechend dem Gewicht und der Verformung des Pruflings feinjustieren. Krafteinstellung wahrend der Messung nicht verandern.

Kraft fur Aussenmessungen PS16 V2 25mm

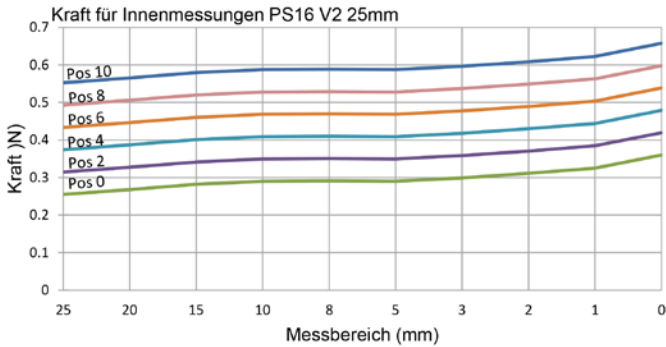


Kraft für Aussenmessungen PS16 V2 50mm

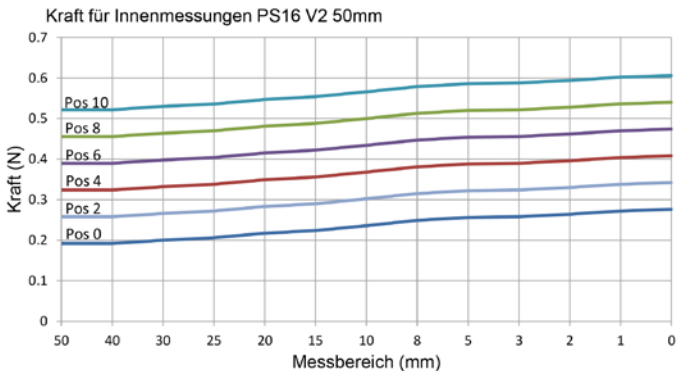


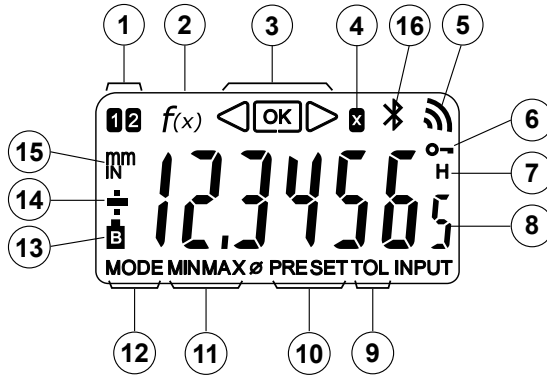
D

Kraft für Innenmessungen PS16 V2 25mm



Kraft für Innenmessungen PS16 V2 50mm






3.1. Beschreibung

1. Aktive Referenz
2. Messmodus mit 3-Punkt-Funktion
3. Toleranzanzeiger
4. Multiplikationsfaktor
5. Datenübertragung
6. Tastatursperre
7. Festhalten des Messwerts
8. Anzeige von 6 Ziffern
9. Toleranz-Modus
10. Preset-Modus
11. Mode Min/Max/Delta
12. Menüanzeige MODE
13. Batterie schwach
14. Anzeiger + / -
15. Masseinheit mm/INCH
16. *Bluetooth*[®]-Verbindung

3.1.1. Funktionalitäten des Instruments:

- **MODE** Das Instrument verfügt über zwei Betriebsarten: Basisfunktionen (mit direktem Zugang) und fortgeschrittene Funktionen. Neben den Konfigurationsfunktionen hat man Zugriff auf 2 Arbeitsreferenzen, die Modi MIN, MAX und DELTA (TIR), auf die Toleranzanzeige oder auf die Eingabe eines anderen Multiplikationsfaktors als 1:1 (siehe Kap. 3.3 und 3.4).
-  Mit der „Favoriten“-Taste“ kann man der am häufigsten verwendeten Funktion einen direkten Zugriff zuweisen (siehe Kap. 3.6).
- **SET** Ermöglicht die Zuweisung eines Presetwertes, die Reinitialisierung der Modi MIN/MAX, die Quittierung einer Auswahl und die Steuerung der Geräteabschaltung. Der SIS-Modus ermöglicht standardmässig das automatische Ausschalten ohne Verlust des Referenzwertes (siehe Kap. 6).

3.1.2. Personalisierung der Funktionen

Es ist möglich, einige Funktionen des Instruments zu aktivieren oder zu deaktivieren (erfordert einen Anschluss, siehe Kap. 6.2)

3.1.3. Parameter für Datenübertragung

4800Bds, 7 Bits, gerade Parität, 2 Stop Bits

3.2. Starten, Referenzwert ermitteln

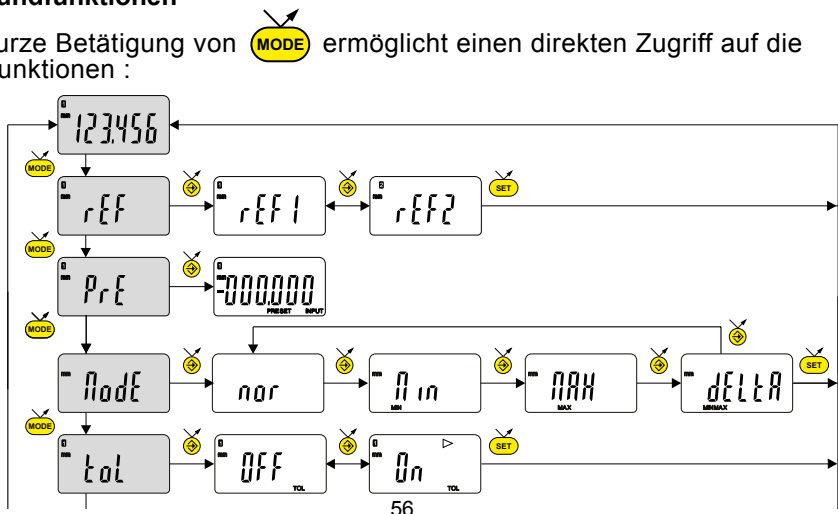
Eine Taste drücken.

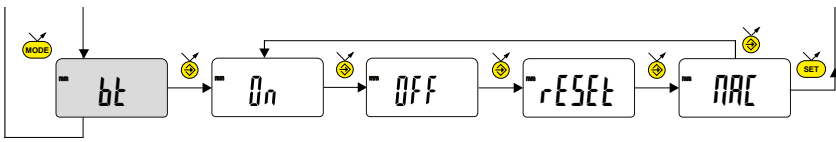
Bei der erstmaligen Verwendung, nach einem Batteriewechsel oder nach vollständigem Abschalten (OFF) verlangt das Gerät eine erneute Ermittlung des Referenzwertes (`--rEF--`). Hierfür ist die Messachse an das Ende des Messwegs zu geben.

Zur *Bluetooth*[®]-Verbindung (siehe Kap. 4).

3.3. Grundfunktionen




Jede kurze Betätigung von **MODE** ermöglicht einen direkten Zugriff auf die Grundfunktionen :





rEF Wahl der Referenz (REF1 oder REF2)

PrE Eingabe des Presetwertes

 nächste Ziffer
  0...9
  PRESET speichern

ModE Messen von Minimum Maximum und Delta (TIR)

tol Anzeige der Toleranzen
(Eingabe der Toleranzgrenzen, siehe Kap. 3.5)



bt *Bluetooth*[®] ON/OFF oder Anzeige MAC-Adresse

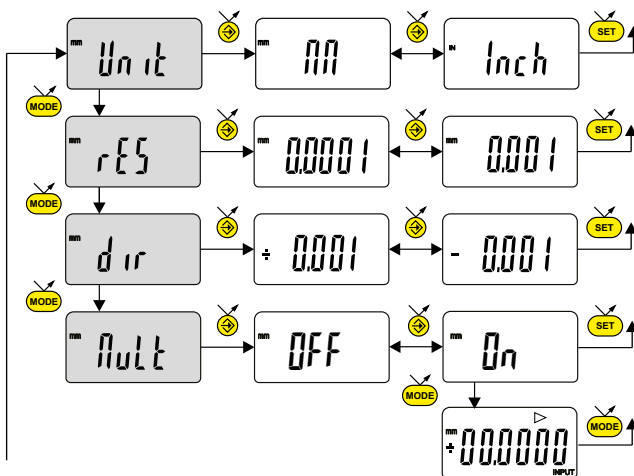
D

Anmerkung :

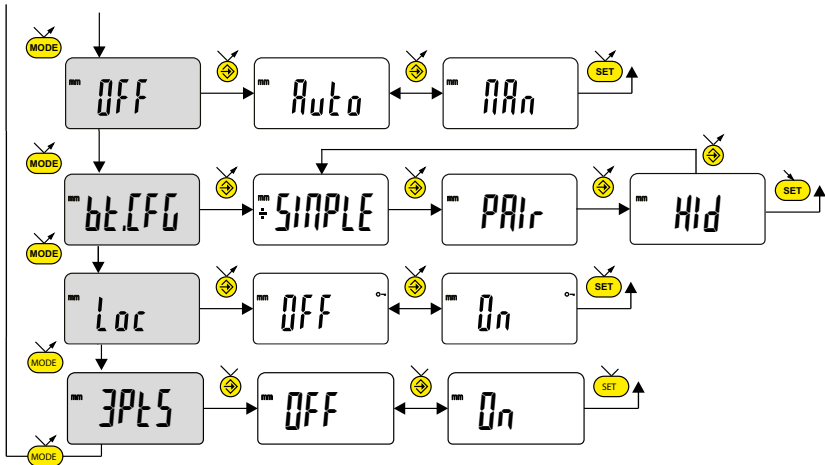
Es ist möglich, jeder der beiden Referenzen einen unterschiedlichen Presetwert zuzuordnen. Ebenso kann man den Referenzen 1 und 2 unterschiedliche Toleranzgrenzen zuordnen.

3.4. Fortgeschrittene Funktionen

Eine lange Betätigung (>2s) von  ermöglicht es, auf die fortgeschrittenen Funktionen zuzugreifen. Anschliessend führt jede kurze Betätigung von  zur gewünschten Funktion :



3.4. Fortgeschrittene Funktionen (Fortsetzung)



D

Unit Wahl der Einheit (mm oder Inch)

rES Wahl des Ziffernschrittwerts (versionsabhängig)

dir Wahl der Messrichtung (positive oder negative Richtung)

mult Eingabe eines anderen Multiplikationsfaktors als 1.0000

nächste Ziffer 0...9 MULTI speichern

OFF Automatischer Ausschaltmodus
NaN = deaktiviert, *Auto* = aktiv

btCFG **Bluetooth**® Profilauswahl (versionsabhängig).
 (siehe Kap. 4 für Details)
 Das Zeichen zeigt das derzeit aktive Profil an.

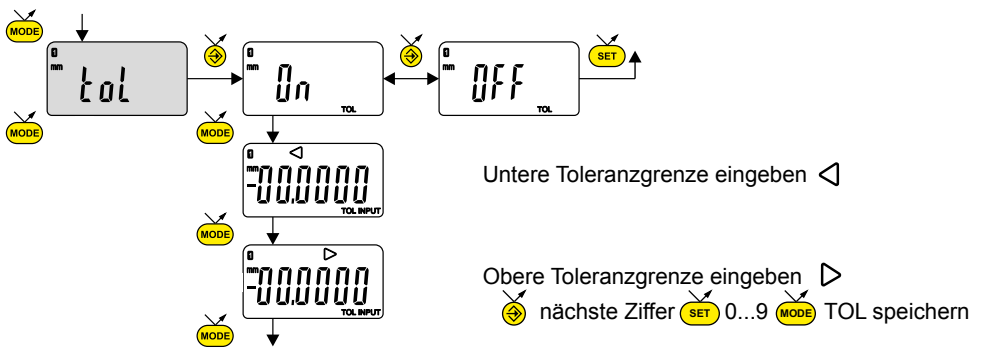
Loc Tastatursperre. Nur die Favoriten-Taste bleibt aktiv
 (um die Tastatursperre aufzuheben, 5 s lang drücken)

3PTS Messen von Durchmessern mit 3 Punkten (für 3-Punkte Version)

3.5. Eingabe der Toleranzgrenzen

Um die Toleranzgrenzen einzugeben oder zu ändern, Betriebsart

tol → *On*, wählen und dann kurz auf drücken.



D

Anmerkung:

Im Fall einer Messung der inneren Abmasse kann man die Anzeiger (rot und gelb) kreuzen, indem man die Eingabereihenfolge der Toleranzgrenzen umkehrt (untere Grenze > obere Grenze).

Es ist möglich, verschiedene Toleranzwerte bei REF1 und REF2 einzugeben.

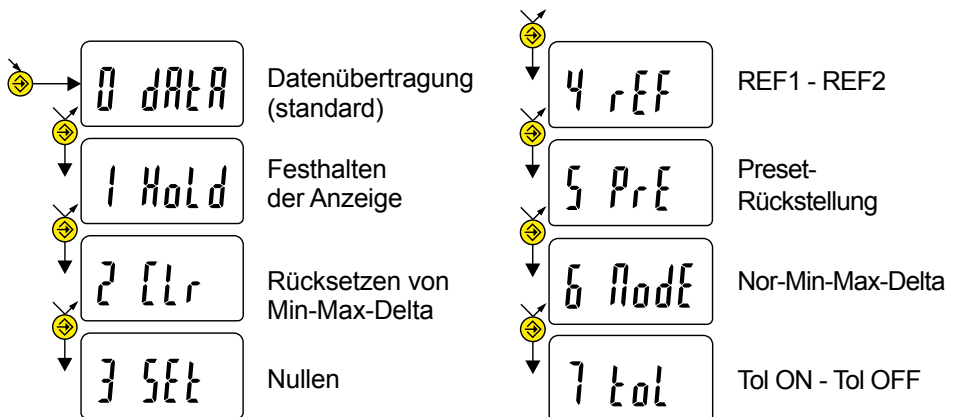
Es ist auch möglich, die Toleranzwerte anzuzeigen, wenn das Instrument in der Betriebsart MIN, MAX oder DELTA (TIR) arbeitet.

Wenn der Nutzer keine Toleranzgrenze festgelegt hat, stellt das Instrument die Toleranzgrenzanzeige dar ◀ [OK] ▶ aber ohne die Leuchtmelder (rot – grün – gelb) zu aktivieren.

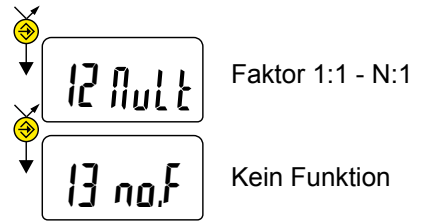
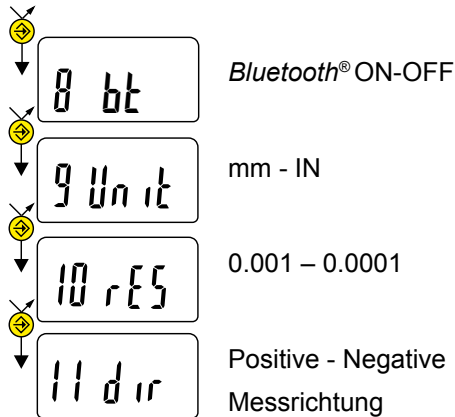
3.6. Favoriten-Taste

Die „Favoriten-Taste“ ermöglicht den direkten Zugriff auf eine zuvor bestimmte Funktion und kann entsprechend der Bedürfnisse des Nutzers konfiguriert werden. Um der „Favoriten-Taste“ eine Funktion zuzuordnen, lange auf

↵ drücken und dann die gewünschte Funktion wählen :



3.6. Favoriten-Taste (Fortsetzung)



Bestätigung der Auswahl: Durch langes Drücken von oder kurzes Drücken von oder

Anmerkung:

Die Zuordnung der Funktion kann auch durch RS 232 erfolgen, mit dem Befehl <FCT + Funktions-Nr.> (FCT 0..9 A..F)

Beispiel: Masseinheit ändern = <FCT9>, Messrichtung wechseln = <FCTB>

4. Bluetooth®-Konfiguration



Der Verbindungsaufbau ist ganz einfach und wird in 3 Zuständen angezeigt :

- Kein Symbol. keine Verbindung
- Blinkendes Symbol. bereit zur Verbindung
- Stehendes Symbol. Verbindung hergestellt

Zur Konfiguration des *Bluetooth*® Moduls stehen die folgenden Optionen zur Verfügung:

- On* Aktiviert das *Bluetooth*® Modul (Instrument kann gefunden werden).
- OFF* Deaktiviert das *Bluetooth*® Modul (aktive Verbindung wird getrennt).
- rESEt* Hebt die *Bluetooth*® Kopplung auf.
- MAC* Zeigt die MAC (Media Access Control) Adresse an.

Drei *Bluetooth*® Profile stehen zur Auswahl:

- SIMPLE* Profil ohne Kopplung.
- PAIR* Profil mit Kopplung und Verschlüsselung.
- hid* Virtuelle Tastatur (Kompatibel mit aktuellen Geräten ohne Installation eines Treibers).

Verbindungsaufbau :

- 1 Stellen Sie sicher, dass die *Bluetooth*[®] Smart Anwendung und das Gerät kompatibel und aktiv sind (PC, Messeinheit).
- 2 Schalten Sie das Instrument ein. Die *Bluetooth*[®]-Funktion ist standardmässig aktiviert und das Instrument kann verbunden werden (Verbindung wird gesucht).
- 3 Wurde keine Verbindung hergestellt während das Instrument sichtbar war, aktivieren Sie *Bluetooth*[®] erneut über das Menü *bt / On..*
- 4 Instrument ist bereit zu kommunizieren (verbundener Modus)

Kopplung :

Die Kopplung des Instruments an den Master erfolgt automatisch bei der ersten Verbindung. Um das Instrument mit einem neuen Master zu verbinden (Neue Kopplung), müssen diese Einstellungen über das Menü *bt / reset* gelöscht werden.

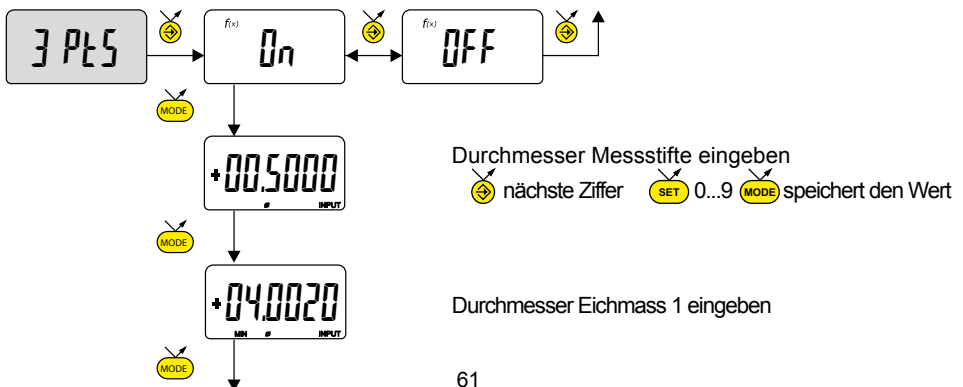
4.1 Technische Daten der *Bluetooth*[®]-Funktion

Frequenzband	2.4GHz (2.402 - 2.480GHz)
Modulation	GFSK (Gaussian Frequency Shift Keying)
Max. Ausgangsleistung	Klasse 3: 1mW (0dBm)
Reichweite	Im Freien: bis 15 m Industrienumgebung: 1-5 m
Autonomie	Continuous : bis zu 2 Monaten (Immer verbunden mit 4 Werten /sek). Saver : bis zu 5 Monaten (Das Gerät sendet die Werte nur wenn die Position geändert hat). Blind/Push : bis zu 7 Monaten (Der Wert wird von dem Gerät gesendet (Taste) oder vom Computer angefordert).

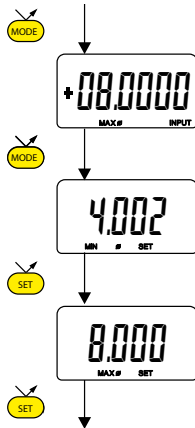
Weitere Spezifikationen auf der Website des Herstellers

5. Einstellung des 3-Punkte-Messsystems (für 3-Punkte Version)

Um das 3-Punkte-Messsystem einzustellen, ist im Menü 3 Pts ON auszuwählen, gefolgt von einem kurzen Druck auf 



5. Einstellung des 3-Punkte-Messsystems (Fortsetzung)



Durchmesser Eichmass 2 eingeben

Eichmass 1 messen ¹⁾

Massnahme des Eichmasses 1 bestätigen

Eichmass 2 messen ¹⁾

Massnahme des Eichmasses 2 bestätigen

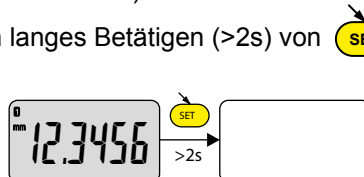
Die PS16 ist zum Messen bereit. Die Voreinstellung (PrE-Funktion) der Referenzen rEF 1 und rEF 2 wird an die Werte der Eichmasse angepasst.

¹⁾ Sobald die Messachse bewegt wird, kehrt die Anzeige in den Messmodus zurück, damit die Position des Eichmasses justiert werden kann.

6. Ausschalten

Die Messuhr stellt sich nach 10 Minuten Nichtgebrauch automatisch auf Stand-By, ausser wenn die Betriebsart Automatischer Ausschaltmodus deaktiviert ist (siehe Kap. 3.4, fortgeschrittene Funktionen).

Stand-By-Funktion durch langes Betätigen (>2s) von **SET** erzwingen.



Im Stand-By-Modus wird der Referenzwert vom Sensor (SIS Modus) beibehalten und das Instrument startet automatisch mit einer Bewegung des Messeinsatzes sowie durch einen RS232 Steuerbefehl oder durch einen Tastendruck.

Es ist möglich, das Instrument für eine lange Zeit des Nichtgebrauchs vollständig auszuschalten, aber das erfordert eine Rückstellung beim Einschalten (Verlust des Referenzwertes).

Lange (>4s) Drücken auf



6.1. Rücksetzen des Instruments

Man kann die Werkseinstellungen des Instruments jederzeit mit einem langen (>4s), gleichzeitigen Drücken bis zur Anzeige der Meldung *reset* auf **MODE** und **SET** wiederherstellen. Das Gerät verlangt nun ein erneutes Ermitteln des Referenzwerts.

6.2. Personalisierung des Instruments

Es ist möglich, den Zugriff auf die Funktionen Ihres Instruments mit Hilfe einer kostenlosen Software zu personalisieren. Weitere Informationen finden Sie auf der Webseite des Herstellers (erfordert den Anschluss Ihres Instruments mit einem USB Kabel, Proximity oder *Bluetooth*[®]).

Möglichkeiten:

- Deaktivierung oder Aktivierung der erwünschten Funktionen
- Änderung des Zugriffs auf die fortgeschrittenen Funktionen (Schaffung eines direkten Zugriffs)

6.3. Anschluss des Instruments

Das Gerät kann über USB-Kabel, Proximity-Kabel oder *Bluetooth*[®] mit einem Peripheriegerät verbunden werden.

Dies ermöglicht eine Messwertübertragung und eine Steuerung des Geräts über vordefinierte Steuerbefehle (Liste der wichtigsten Befehle siehe Kap. 7.).

Note :

Im Toleranzmodus leuchten die Leuchtanzeigen der Toleranzgrenzen nur einige Sekunden, wenn sich die Messung stabilisiert hat. Sie leuchten jedoch dauerhaft, wenn das Gerät über die USB-Verbindung angeschlossen ist und mit Strom versorgt wird.

7. Liste der wesentlichen Steuerbefehle

Auswahl und Konfiguration

CHA+ / CHA-	Wechsel der Messrichtung
FCT0 ...9...A...F	Zuordnung der Funktion „Favorit“
MM / IN	Wechsel der Masseinheit
KEY0 / KEY1	Aktiviert / Deaktiviert die Tastatursperre
MUL [+/-]xxx.xxxx	Änderung des Multiplikationsfaktors
PRE [+/-]xxx.xxx	Änderung des Presetwertes
REF1 / REF2	Wechsel der aktiven Referenz
STO1 / STO0	Aktiviert / Deaktiviert den HOLD
TOL ON / TOL OFF	Aktiviert / Deaktiviert die Toleranzen
ECO1 / ECO0	Aktiviert / Deaktiviert ECO Modus
LCAL dd.mm.yy	Ändert das Datum der letzten Kalibrierung
NCAL dd.mm.yy	Ändert das Datum der nächsten Kalibrierung
NUM x...x (bis zu 20 Kar.)	Ändert der Instrumentnummer
TOL +/-xxx.xxx +/-yyy.yyy	Eingabe Toleranzgrenzen
MIN / MAX / DEL / NOR	Auswahl des Modus MIN, MAX, Delta, Normal
CLE	Rücksetzen von Min, Max oder Delta
UNI1 / UNI0	Aktiviert / Deaktiviert den Einheitswechsel
OUT1/OUT0	Aktiviert / Deaktiviert die kontinuierliche Datenübertragung
PRE ON / PRE OFF	Aktiviert /Deaktiviert die Presetfunktion
PRE	Preset-Rückstellung
SET	Nullen
RES1 / RES2	Ändern des Ziffernschrittweite
SBY xx	Ändert die Dauer (xx Minuten) bis zum Stand-by
BT0/BT1	Aktiviert / deaktiviert die <i>Bluetooth</i> [®] -Funktionw
BTBST	Löschen der <i>Bluetooth</i> [®] Kopplung

Abfragen

CHA?	Messrichtung?
FCT?	Funktion „Favorit“ aktiv?
UNI?	Masseinheit aktiv
KEY?	Tastatursperre?
MUL?	Multiplikationsfaktor?
PRE?	Presetwert?
REF?	Aktive Referenz?
STO?	HOLD Funktionsstatus?
TOL?	Wert der aktuellen Tol.-Grenzen?
ECO?	Actueller ECO Modus
LCAL?	Datum der letzten Kalibrierung?
NCAL?	Datum der nächsten Kalibrierung?
NUM?	Instrumentnummer?
?	Aktueller Wert (Tol.-Modus, Wert gefolgt von <=>)
MOD?	Aktiver Modus (MIN, MAX, Delta oder Normal)?
SET?	Hauptparameter des Instruments?
ID?	Identifizierungscode des Instruments?

Wartungsfunktionen

BAT?	Batteriestatus (BAT1=Ok, BAT0=Batterie schwach)
OFF	Vollständ. Ausschalten (Neuaktivierung mit Knopf oder RS)
RST	Rücksetzen des Instruments
SBY	Setzen des Instruments auf Stand-By (SIS)

MAC ? Adresse des *Bluetooth*[®]-Moduls

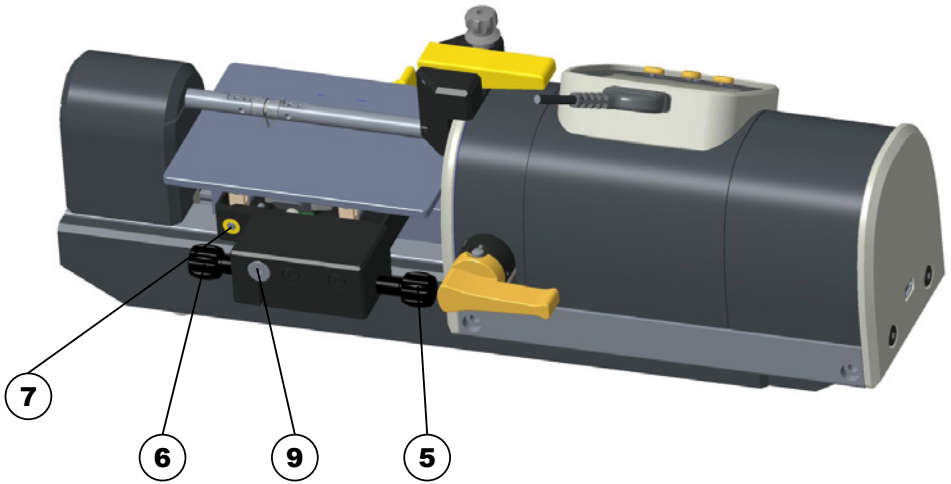
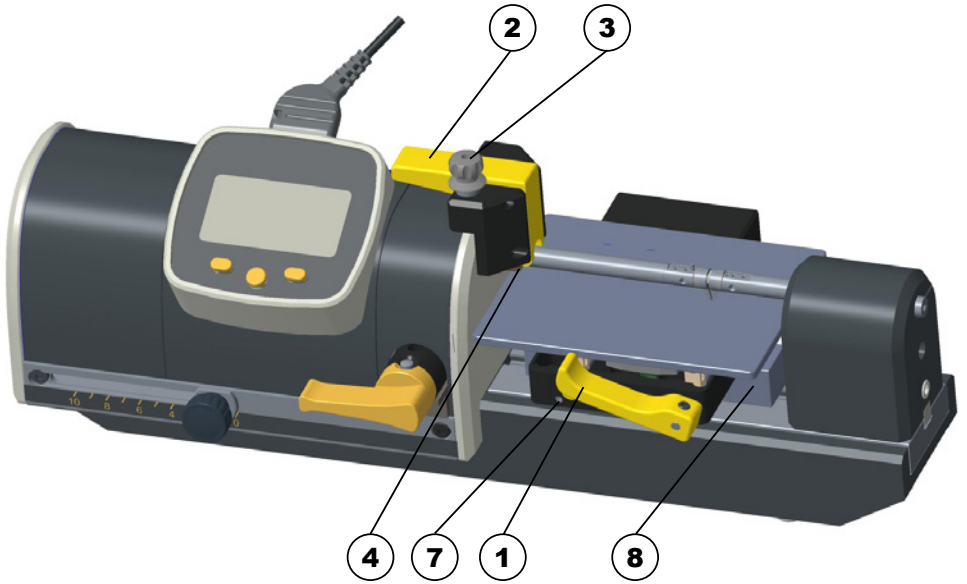
8. Spezifikationen

Messbereich:	25mm	50mm
Fehlergrenze:	1.5µm	2.0µm
Wiederholbarkeit:	0.2µm	0.3µm
Gewicht: (mit keine Zubehör):	3550g	4180g
Messkraft:	0.15 - 0.65N	0.15 - 0.60N
Anzahl der Messungen pro Sekunde:	Messung: 4.4 Mess/s	Mode MIN/MAX: 5.3 Mess/s
Masseinheit:	mm / Inch	
Maximum Preset (Auflösung 0.001mm):	±999.999 mm/±39.99995 IN	
Maximum Preset (Auflösung 0.0001mm):	±99.9999 mm/±3.999995 IN	
Messsystem:	Sylvac inductive system (patentiert)	
Versorgung:	Lithiumbatterie 3V, Typ CR2032 (Kapazität 220mAh) oder Lithiumbatterie Typ CR2477 (950mAh) oder USB	
Durchschnittlicher Verbrauch:	155µA	
Durchschnittliche Autonomie:	4'000 Stunden (mit <i>Bluetooth</i> ® aktiviert, siehe Kap. 4.1)	
Datenausgang:	USB RS232 Kompatibel / <i>Bluetooth</i> ® 4.0 (siehe Kap. 4)	
Arbeitstemperatur (Lagerung):	+5 bis +40°C (-10 bis +60°C)	
Elektromagnetische Verträglichkeit:	gemäss EN 61326-1	
IP Spezifikation (gemäss IEC60529):	IP 40	
Tastspitzenaufnahme:	Ø1.5, Cary Kompatibel	

D

9. Goutte Version

D



9.1. Beschreibung

1. Anlüfthebel
2. Hebel für die Messung
3. Einstellrad für die Messposition
4. Ring zum Einstellen des Messbereiches
5. Drehkopf zum Verstellen des Anschlages, Hohe Position
6. Drehkopf zum Verstellen des Anschlages, niedrige Position
7. Schrauben zur Fixierung des Tisches (vorne und hinten)
8. Endmass für höhere Teile
9. Anschraub-Punkt für Messuhr (mit Stopfen verschlossen)

D

9.2. Referenznahme (---EF--)

Der Ring zum Einstellen des Messbereiches muss gelöst werden (Schraube lösen), damit die Achse ans Ende des Messweges bewegt und die Referenznahme (---EF--)
durchgeführt werden kann. Nach der Referenznahme den Ring mit 3 mm Abstand zwischen den Tastspitzen wieder arretieren.

Fig. 1

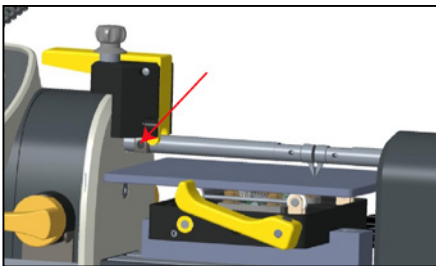
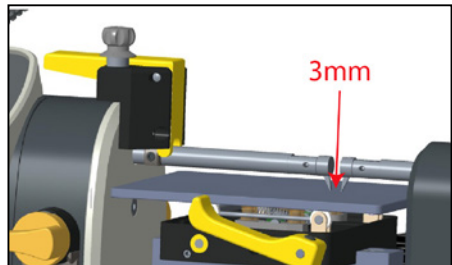


Fig. 2



9.3. Verwendung

- Senken Sie den Messtisch durch Drehen des Knopfes (7), um das zu vermessende Teil auf dem Tisch zu positionieren (unterer Anschlag).
- Positionieren Sie das zu vermessende Teil und stellen Sie den Messbereich der Tasteinsätze mit dem Rändelrad ein (3).
- Drehen Sie den Knopf (6), um den Tisch in die gewünschte Messhöhe anzuheben (oberer Anschlag)
- Führen Sie die Messung aus, indem Sie den Hebel (2) betätigen.
- Betätigen Sie Schnellverstellungs-Hebel (1) um den Messtisch zu lösen.
- Um weitere Teilen zu messen lösen Sie nur den Schnellverstellungs-Hebel (1) um das jeweils nächste Teil aufzulegen.

D

9.4. Spezifikationen

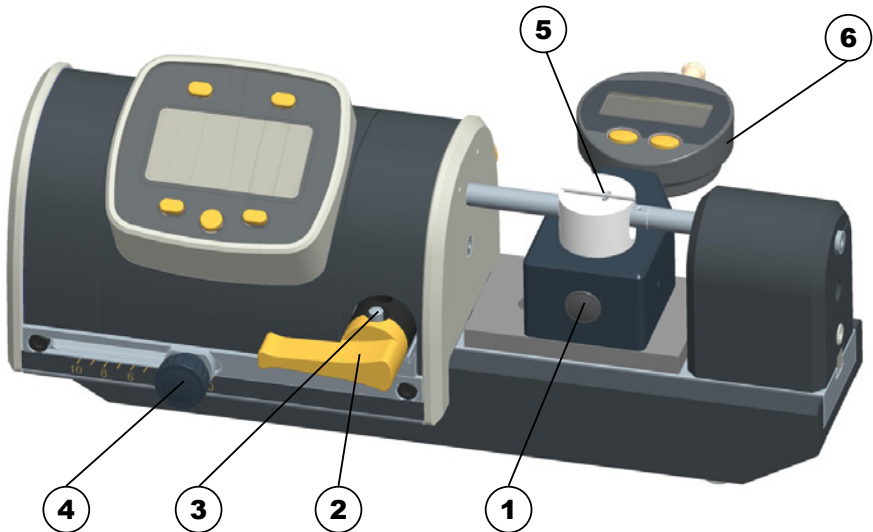
Typ	25	50
Abmessungen des Tisches	58x70	92x70
Schnellspanner	7mm	
Messbereich	3mm	
Messfunktionen	25mm	

Achtung :

In der angehobenen Position kann der Tisch die Tasten berühren und diese beschädigen.

9.5. Options

Um besonders dicke Teile zu messen kann der Messtisch auf eine niedrigere Position eingestellt werden. Für diese Position wird ein Parallelendmass-Satz (8) für den Tisch mitgeliefert. Eine Messuhr mit speziellem Anschlag kann rückseitig an den Tisch montiert werden (9).



10.1. Beschreibung

1. Höheneinstellradchen
2. Anlüfthebel
3. Optionale Arretierungsanschlüsse (vor und hinter dem Gerät)
4. Kräfteinstellradchen
5. Tastspitzen (gemäß Messbereich)
6. Messuhr zur Höheneinstellung

10.2. Einstellen der Messkraft

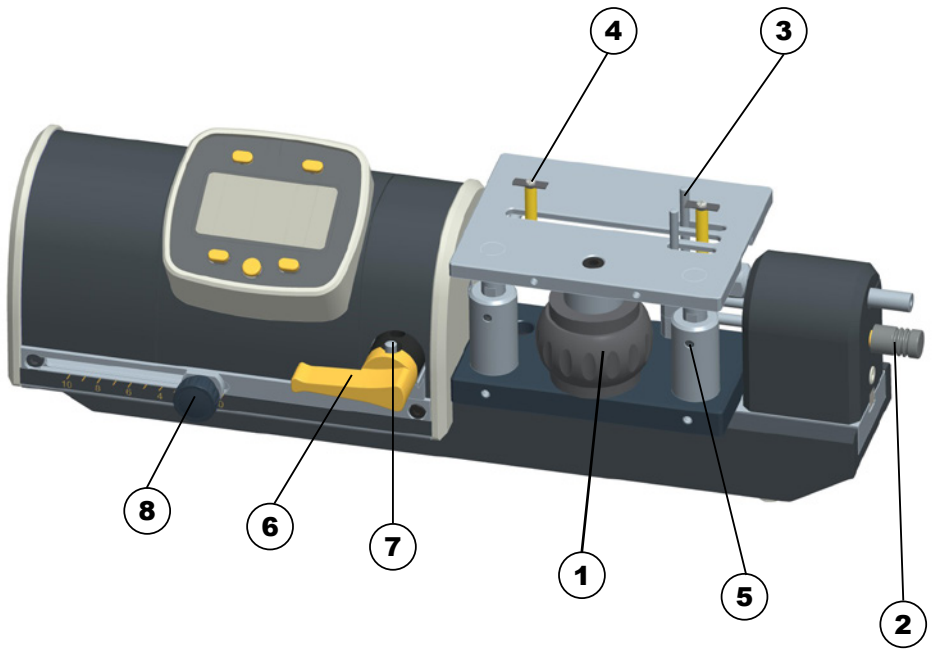
- Passen Sie die Messkraft mithilfe des Kräfteinstellradchens (4) an; die Kräfteinstellung nicht verändern, während ein Messzyklus im Gange ist (PRESET und Prüflingsmessung).
- Messeinstellung gemäß Kapitel 5

10.3. Verwendung

- Die Messhöhe mit dem Höheneinstellradchen justieren (1).
- Tastspitzen mithilfe des Anlüfthebels lösen (2).
- Den Prüfling auf dem Messtisch platzieren
- Tastspitzen lockern, es erfolgt eine Selbstzentrierung des Prüflings durch die Tastspitzen.
- Gegebenenfalls wiederholen, damit der Prüfling optimal positioniert wird.

Hinweis

Das Zurückweichen der Achse kann mithilfe der optionalen Arretierungsanschlüsse (3) begrenzt werden.



11.1. Beschreibung

1. Höheneinstellrädchen
2. Zentrierknopf
3. Zentrierer
4. Festgestellte Tastspitze
5. Feststellschraube
6. Anlüfthebel
7. Optionale Arretierungsanschlüge (vor und hinter dem Gerät)
8. Krafteinstellrädchen

11.2. Einstellen der Messkraft

- Justieren Sie die Messkraft mithilfe des Krafteinstellrädchens (8); die Krafteinstellung nicht verändern, während ein Messzyklus im Gange ist (PRESET und Prüflingsmessung).
- Den der durchzuführenden Messung am nächsten kommenden Presetwert (Kap 3.3) gemäss gewünschtem Kalibrierring eingeben.
- Messeinstellung mit Kalibrierring (siehe Verwendung) und Wiederaufruf der Voreinstellung SET.

D

11.3. Verwendung

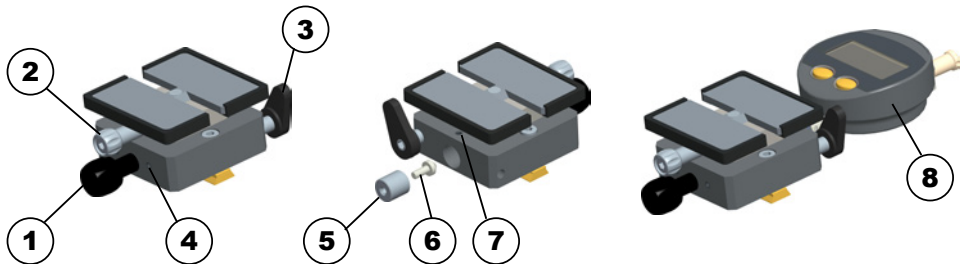
- Die Messhöhe mit dem Höheneinstellrädchen justieren (1).
- Tastspitzen mithilfe des Anlüfthebels lösen (6).
- Den Prüfling auf dem Messtisch platzieren
- Tastspitzen lockern
- Den Prüfling mit dem Zentrierknopf zentrieren (2), wiederholen, damit der Prüfling optimal positioniert wird.

Hinweis

Der Messtisch kann mithilfe der Feststellschraube arretiert werden (5).

Das Zurückweichen der Achse kann mithilfe der optionalen Arretierungsanschlüge (7) begrenzt werden.

12.1. XZ-Messtisch



12.1.1. Beschreibung

1. Schraube für die Höhenfeineinstellung
2. Feststellschraube der Messtischauflage
3. Horizontaler Feststellhebel
4. Feststellschraube der Höheneinstellung
5. Verschlusszapfen
6. Tastspitze für Messuhren
7. Befestigungsschraube des Zapfens / der Messuhr
8. Messuhr zur Anzeige der vertikalen Verschiebung (nicht inbegriffen)

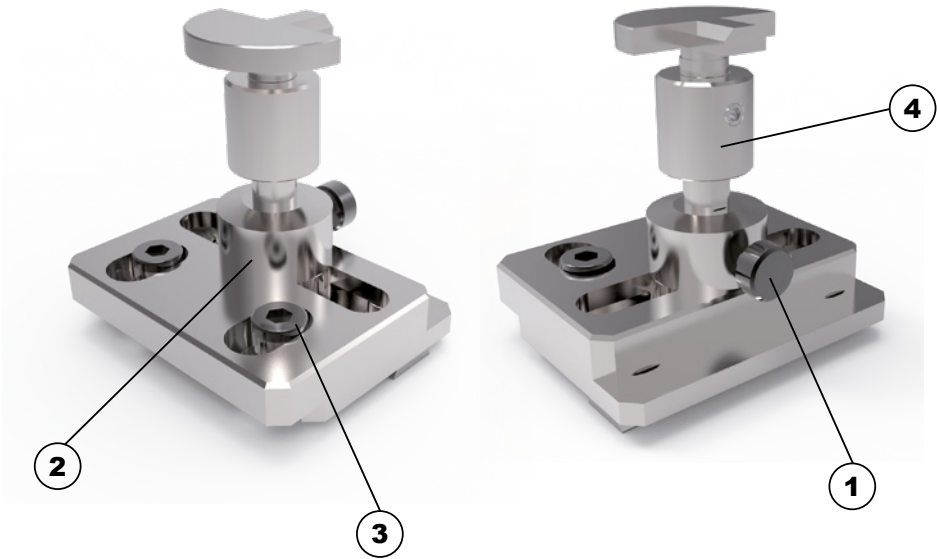
12.1.2. Verwendung:

- Verriegeln Sie den Messtisch mit dem Feststellhebel (3) der horizontalen Positionierung an der gewünschten Stelle.
- Lösen Sie die Auflage über die Feststellschraube (2) und stellen Sie sie manuell auf die gewünschte Höhe ein.
- Stellen Sie die gewünschte Höhe mit Hilfe der Feineinstellschraube (1) exakt ein. Wenn erforderlich, verriegeln Sie die Einstellung mit der Feststellschraube (4).

12.1.3. Montieren der Messuhr (Option) :

- Lösen Sie die Feststellschraube (7) und entfernen Sie den Verschlusszapfen (5) gegebenenfalls mit Hilfe einer M2,5-Schraube.
- Entfernen Sie die konische Spezialtastspitze (6) hinten am Zapfen und schrauben Sie diesen an den Messschaft der Messuhr.
- Stellen Sie den Messtisch mit Hilfe der Feineinstellschraube (1) auf die höchste Einstellung, bevor Sie die Messuhr bis zum Anschlag einsetzen.
- Ziehen Sie die Feststellschraube (7) leicht an.

12.2 Messtisch XYZ



12.2.1. Beschreibung

1. Vertikale Verriegelungsschraube
2. Beweglichen Säule
3. Arretierungsschrauben
4. Verlängerung

12.2.2. Verwendung:

- Die Säule (2) kann seitlich verschoben werden. Ihre Position wird durch Reibung gehalten.
- Schraube (1) lösen um die Höhe an Tasten und Werkstücke anzupassen.

Calibration certificate

Because we make our instruments in batches, you may find that the date on your calibration certificate is not current. Please be assured that your instruments are certified at point of production and then held in stock in our warehouse in accordance with our Quality Management System ISO 9001. Re-calibration cycle should start from date of receipt.

Certificat d'étalonnage

En raison de la fabrication de nos instruments par lots de production, il est possible que la date de votre certificat d'étalonnage ne soit pas actuelle. Nous garantissons que nos instruments sont certifiés au moment de leur fabrication puis stockés conformément à notre système de gestion de la qualité ISO 9001. Le cycle de réétalonnage peut commencer à partir de la date de réception.

Zertifikat

Da wir unsere Instrumente in Serien herstellen, kann es sein, dass das Datum auf dem Zertifikat nicht aktuell ist. Die Instrumente sind jedoch ab der Herstellung zertifiziert und werden dann gemäss unserem Qualitätsmanagementsystem ISO 9001 in unserem Lager aufbewahrt. Der Nachkalibrierungszyklus kann ab dem Empfangsdatum beginnen.

CERTIFICATE OF CONFORMITY

We certify that this instrument has been manufactured in accordance with our Quality Standard and tested with reference to masters of certified traceability by the National Office of Metrology.

CERTIFICAT DE CONFORMITE

Nous certifions que cet instrument a été fabriqué et contrôlé selon nos normes de qualité et en référence avec des étalons dont la traçabilité est reconnue par l'office national de métrologie.

QUALITÄTSZEUGNIS

Wir bestätigen, dass dieses Gerät gemäss unseren internen Qualitätsnormen hergestellt wurde und mittels Normalen mit anerkannter Rückverfolgbarkeit, kalibriert durch das Eidgenössische Institut für Metrologie, geprüft worden ist.

U.S./Canada Certification



This device contains
FCC ID: 2AAQS-ISP091201
IC: 11306A-ISP091201

NOTICE :

Changes or modifications made to this equipment not expressly approved by Sylvac may void the FCC authorization to operate this equipment.

NOTICE :

This device complies with Part 15 of the FCC Rules and with RSS-210 of Industry Canada. Operation is subject to the following two conditions.

- (1) this device may not cause harmful interference, and
- (2) this device must accept any interference received, including interference that may cause undesired operation.

NOTE :

This equipment has been tested and found to comply with the limits for a Class A digital device, pursuant to Part 15 of the FCC Rules. These limits are designed to provide reasonable protection against harmful interference when the equipment is operated in a commercial environment. This equipment generates, uses, and can radiate radio frequency energy and, if not installed and used in accordance with the instruction manual, may cause harmful interference to radio communications. Operation of this equipment in a residential area is likely to cause harmful interference in which case the user will be required to correct the interference at his own expense.

Radiofrequency radiation exposure Information :

This equipment complies with FCC radiation exposure limits set forth for an uncontrolled environment. This equipment should be installed and operated with minimum distance of 20 cm between the radiator and your body.

This transmitter must not be co-located or operating in conjunction with any other antenna or transmitter.

Brazil Certification

Description :

This module is based on Nordic Semiconductor nRF8001 μ Blue *Bluetooth*[®] Low Energy Platform. The nRF8001 is a single chip transceiver with an embedded baseband protocol engine, suitable for ultra-low power wireless applications conforming to the *Bluetooth*[®] Low Energy Specification contained within v4.0 of the overall *Bluetooth*[®] specification. The nRF8001, used in the current revision of ISP091201, is a production product using a RoM for the baseband protocol engine

Este equipamento opera em caráter secundário isto é, não tem direito à proteção contra interferência prejudicial, mesmo de estações do mesmo tipo e não pode causar interferência a sistemas operando em caráter primário.

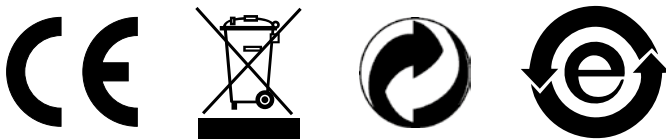


Mexico certification

Contiene modulo inalámbrico
Marca: Sylvac
Modelo: ISP091201D
IFT: RCPSYIS14-0655

La operación de este equipo está sujeta a las siguientes dos condiciones: (1) es posible que este equipo o dispositivo no cause interferencia perjudicial y (2) este equipo o dispositivo debe aceptar cualquier interferencia, incluyendo la que pueda causar su operación no deseada.

Other Certifications :



- Changes without prior notice
- Sous réserve de toute modification
- Änderungen vorbehalten

Edition : 2018.05 / 681.16.01-200