



# Caliper

# S\_Cal EVO

## DESCRIPTION

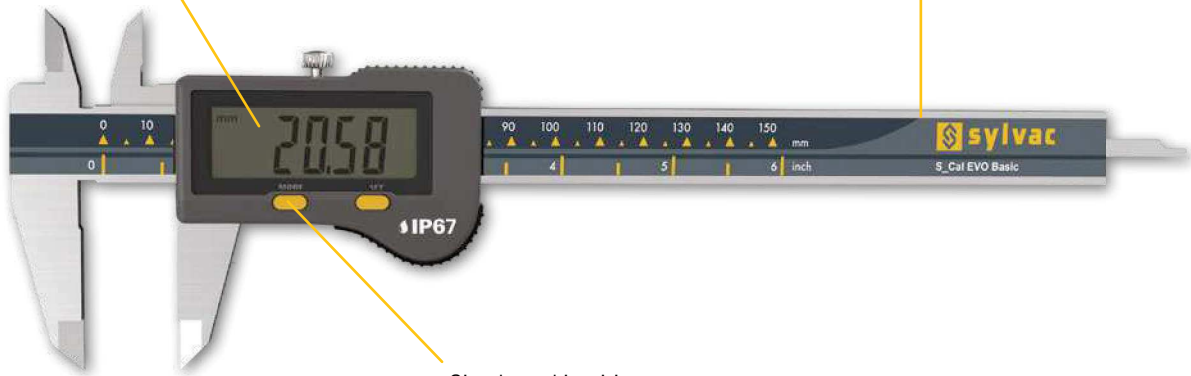
## BASIC

- High-quality, ergonomic calliper without data output
- 3.5 mm thick hardened and ground stainless steel frame
- New extra-large display unit with 11.5 mm high digits
- Memorising the home position even when the instrument is switched off
- Available in the following executions :
  - Measuring range 150 mm with rectangular depth rod
  - Measuring range 150 mm with cylindrical depth rod
  - Measuring range 200 mm with rectangular depth rod
  - Measuring range 300 mm without depth rod
- Protection class IP67
- Wheel available as an option

C

Digital display LCD,  
Height of digits 11.5 mm

Thickness of frame 3.5 mm



Simple and intuitive  
functions

## ISO 13385-1

**NO OUTPUT**

**SIS** Smart Inductive System

**WATER RESISTANT**

**IP67**

**Protection rating IP67 !**

\* SIS description on page 5

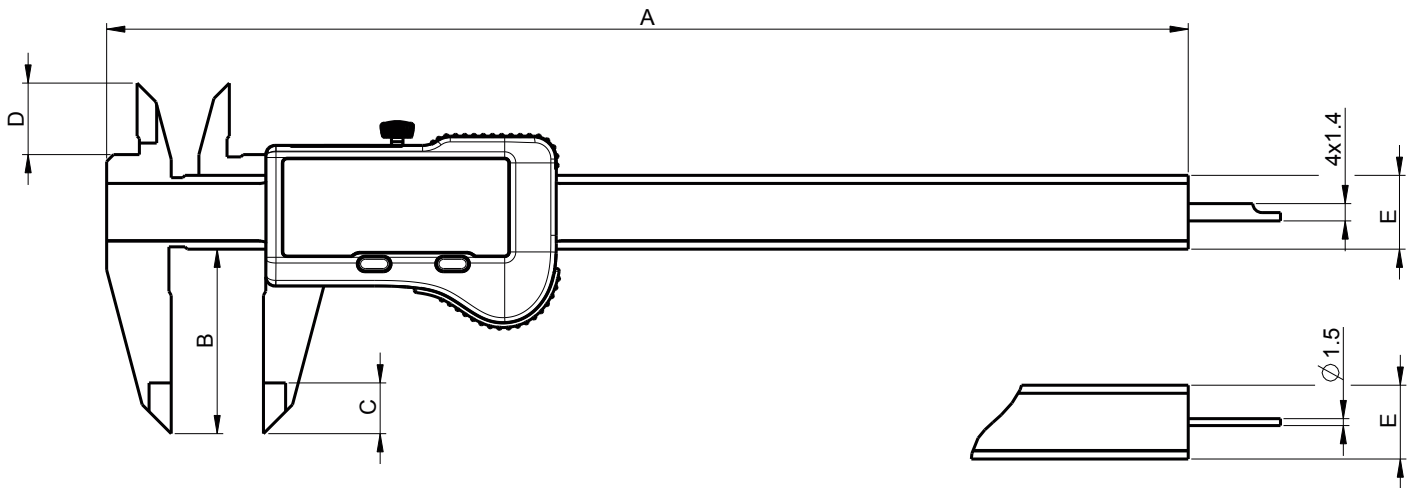


# Caliper

# S\_Cal EVO

## DIMENSIONAL DRAWING

## BASIC



## TECHNICAL SPECIFICATIONS

		810-1502	810-1507	810-1522	810-1532
Measuring range	mm	150	150	200	300
Max. Error G - external measurements	µm	20 <sup>1)</sup>	20 <sup>1)</sup>	30 <sup>1)</sup>	30 <sup>1)</sup>
Max. Error - internal measurements	µm	20-30 <sup>2)</sup>	20-30 <sup>2)</sup>	30 <sup>2)</sup>	40 <sup>2)</sup>
A	mm	234.5	234.5	290.5	388
B	mm	40	40	50	64
C	mm	11	11	14	14
D	mm	16	16	19	19
E	mm	16 x 3.5	16 x 3.5	16 x 3.5	16 x 4
Depth rod	mm	— 4 x 1.4	∅ 1.5	— 4 x 1.4	---
Protection rating according to IEC 60529	IP67				
Functions	Zero setting, Preset (max 999.99), mm/inch, Hold				
Smart Inductive Sensor	●				

<sup>1)</sup> 0-150 mm : 20 µm / ISO13385-1  
 > 150 mm : 30 µm / ISO13385-1

<sup>2)</sup> ∅4-25 : 20 µm / ISO13385-1  
 ∅26-150 : 30 µm / ISO13385-1  
 >∅150 : 40 µm / ISO13385-1