



# Caliper

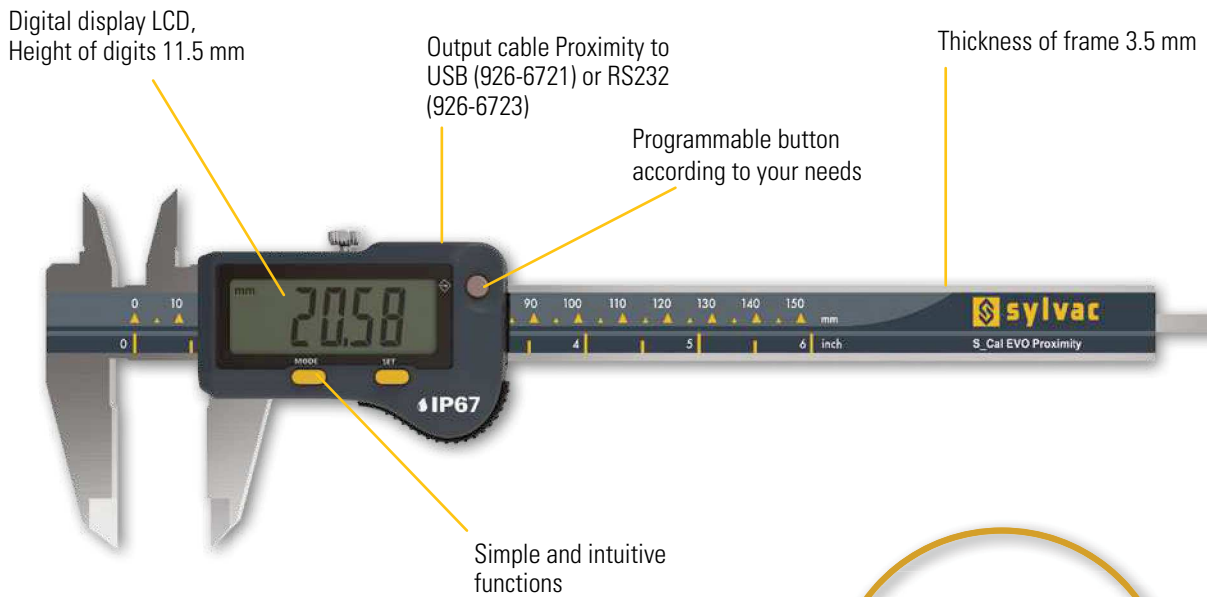
# S\_Cal EVO

## DESCRIPTION

## PROXIMITY

- High-quality ergonomic caliper with Proximity data output
- 3.5 mm thick hardened and ground stainless steel pole
- New extra-large display unit with 11.5 mm high digits
- Additional button with selectable favourite function
- Memorising the home position even when the instrument is switched off
- Available in the following executions :
  - Measuring range 150 mm with rectangular depth rod
  - Measuring range 150 mm with cylindrical depth rod
  - Measuring range 200 mm with rectangular depth rod
  - Measuring range 300 mm without depth rod
- Protection class IP67
- Wheel available as an option

C



## ISO 13385-1



**Proximity cable**

## Proximity version

\* SIS description on page 5

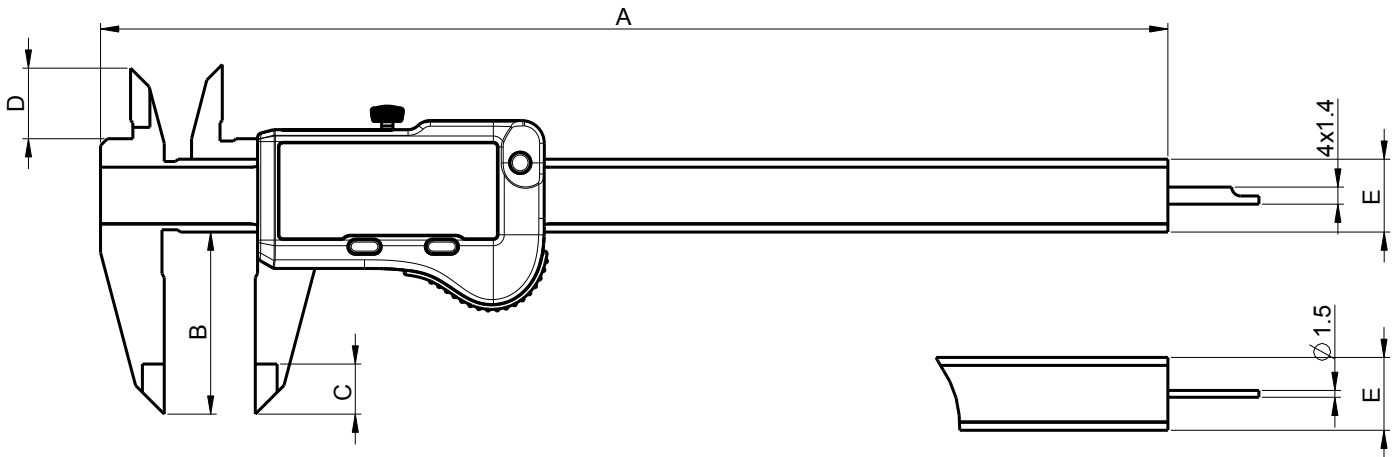


# Caliper

# S\_Cal EVO

## DIMENSIONAL DRAWING

## PROXIMITY



## TECHNICAL SPECIFICATIONS

		810-1702	810-1707	810-1722	810-1732
Measuring range	mm	150	150	200	300
Max. Error G - external measurements	µm	20 <sup>1)</sup>	20 <sup>1)</sup>	30 <sup>1)</sup>	30 <sup>1)</sup>
Max. Error - internal measurements	µm	20-30 <sup>2)</sup>	20-30 <sup>2)</sup>	30 <sup>2)</sup>	40 <sup>2)</sup>
A	mm	234.5	234.5	290.5	388
B	mm	40	40	50	64
C	mm	11	11	14	14
D	mm	16	16	19	19
E	mm	16 x 3.5	16 x 3.5	16 x 3.5	16 x 4
Depth rod	mm	▬ 4 x 1.4	∅ 1.5	▬ 4 x 1.4	---
Protection rating according to IEC 60529		IP67			
Functions		Zero setting, Preset (max 999.99), mm/inch, Hold			
Output data		USB / RS232 <sup>3)</sup>			
Smart Inductive Sensor		●			

<sup>1)</sup> 0-150 mm : 20 µm / ISO13385-1  
> 150 mm : 30 µm / ISO13385-1

<sup>2)</sup> ∅4-25 : 20 µm / ISO13385-1  
∅26-150 : 30 µm / ISO13385-1  
>∅150 : 40 µm / ISO13385-1

<sup>3)</sup> see cables chapter