



Micron Caliper

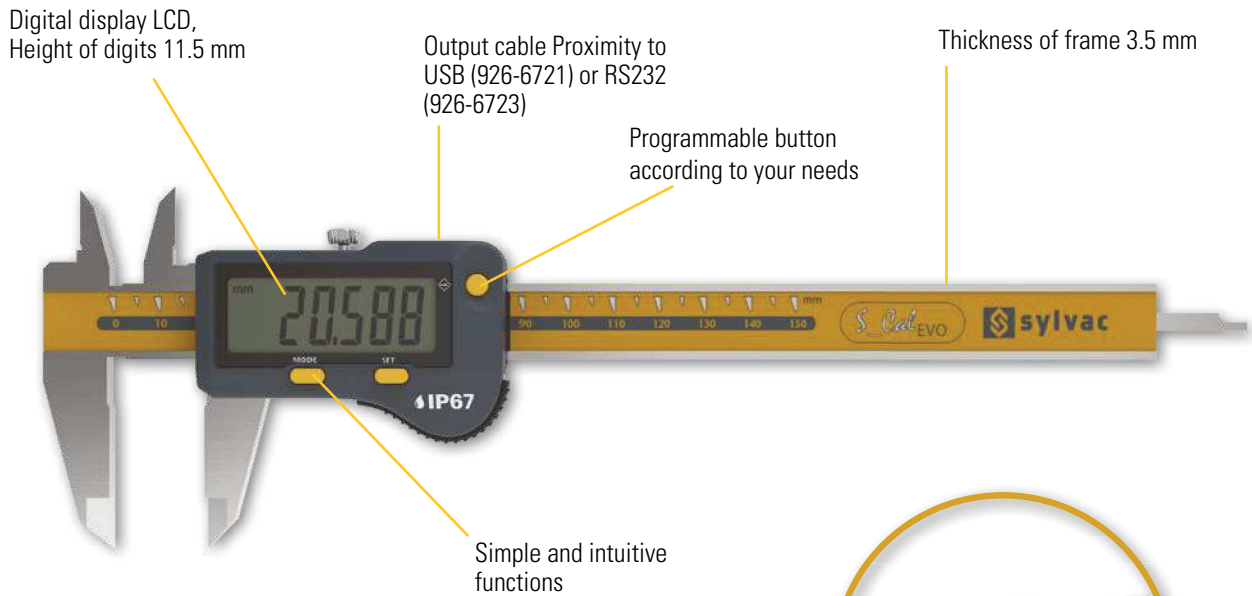
S_Cal EVO

DESCRIPTION

PROXIMITY MICRON

- High quality ergonomic caliper with micron display and Proximity data output
- Hardened, finely ground stainless steel frame, thickness 3.5 mm
- New extra-large display unit, resolution 0.001 mm, digits height 11.5 mm
- Preset function to measure by comparison
- Additional button with selectable favourite function
- Memorising the home position even when the instrument is switched off
- Available in the following executions :
 - Measuring range 150 mm with rectangular depth rod
 - Measuring range 150 mm with cylindrical depth rod
- Protection class IP67
- Delivered with calibration certificate
- Wheel available as an option

C



Proximity cable

ISO 13385-1

PROXIMITY

SIS Smart Inductive System

WATER RESISTANT

IP67

Version Proximity micron

* SIS description on page 5

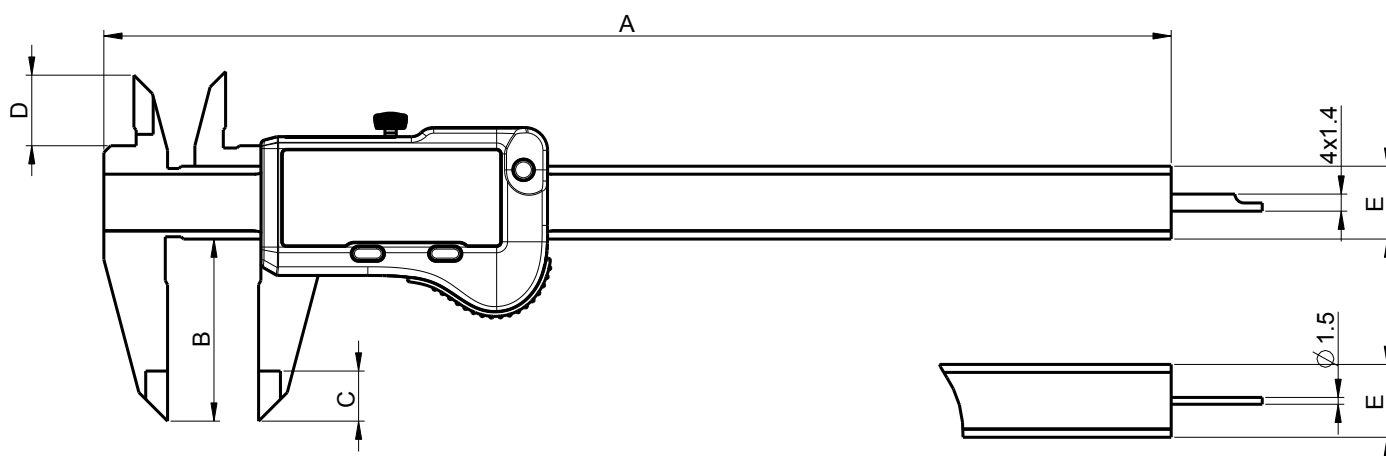


Micron Caliper

S_Cal EVO

DIMENSIONAL DRAWING

PROXIMITY MICRON



TECHNICAL SPECIFICATIONS

| | | 810-9702 | 810-9707 |
|--|----|--|---------------------|
| Measuring range | mm | 150 | 150 |
| Max. Error G - external measurements | µm | 20 ¹⁾ | 20 ¹⁾ |
| Max. Error - internal measurements | µm | 20-30 ²⁾ | 20-30 ²⁾ |
| Resolution | mm | 0.001 | |
| A | mm | 234.5 | 234.5 |
| B | mm | 40 | 40 |
| C | mm | 11 | 11 |
| D | mm | 16 | 16 |
| E | mm | 16 x 3.5 | 16 x 3.5 |
| Depth rod | mm | ■ 4 x 1.4 | Ø1.5 |
| Functions | | Zero setting, Preset (max 99.999), mm/inch, Hold | |
| Protection rating according to IEC 60529 | | IP67 | |
| Output data | | USB / RS232 ³⁾ | |
| Smart Inductive Sensor | | ● | |

¹⁾ 0-150 mm : 20 µm / ISO13385-1
> 150 mm : 30 µm / ISO13385-1

²⁾ Ø4-25 : 20 µm / ISO13385-1
Ø26-150 : 30 µm / ISO13385-1

³⁾ see cables chapter