

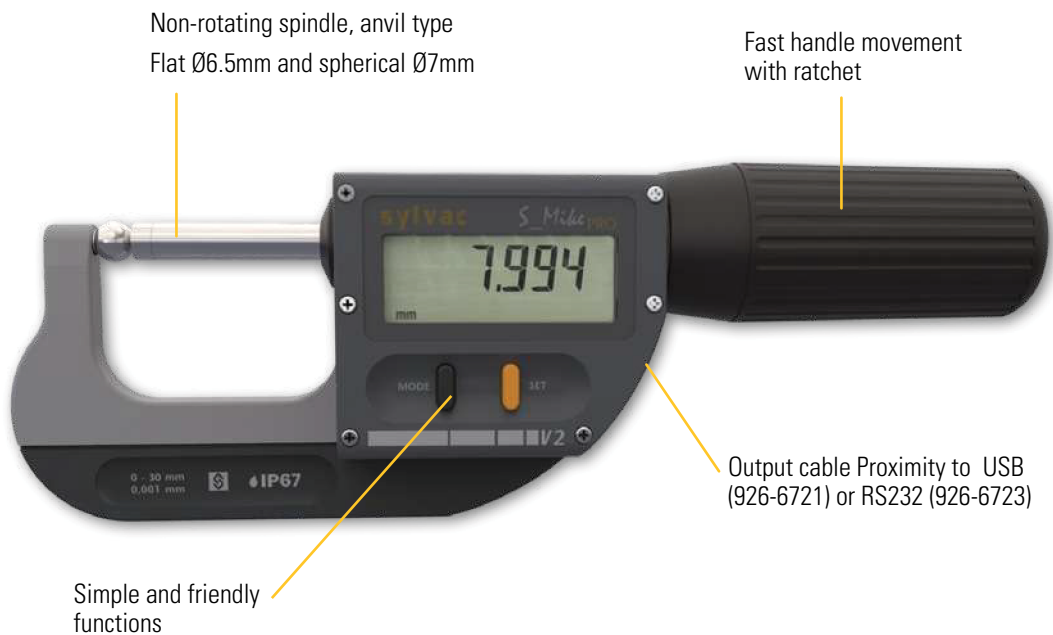
Professional micrometer

S_Mike PRO

DESCRIPTION

FLAT Ø6.5 / SPHERICAL Ø7

- High-speed micrometer with non-rotating spindle
- Linear spindle feed 10 mm per revolution
- Tungsten-carbide measuring anvils with a fixed Ø 7 mm ball probe on the fixed side and a flat Ø 6.5 mm probe on the movable side.
- For technical reasons, this micrometer cannot be delivered with different anvils.
- Display resolution 0.001 mm
- Ratchet system cancels operator influence and guarantees excellent repeatability
- Switchable measuring force 5 or 10 N
- Proximity data output
- This model is available in Bluetooth® version on request.
- Measuring range limited to 30 mm
- Protection class IP67



DIN 863

PROXIMITY

SIS Smart Inductive System

WATER RESISTANT

IP67

SWISS MADE

Flat Ø6.5mm / Spherical Ø7mm

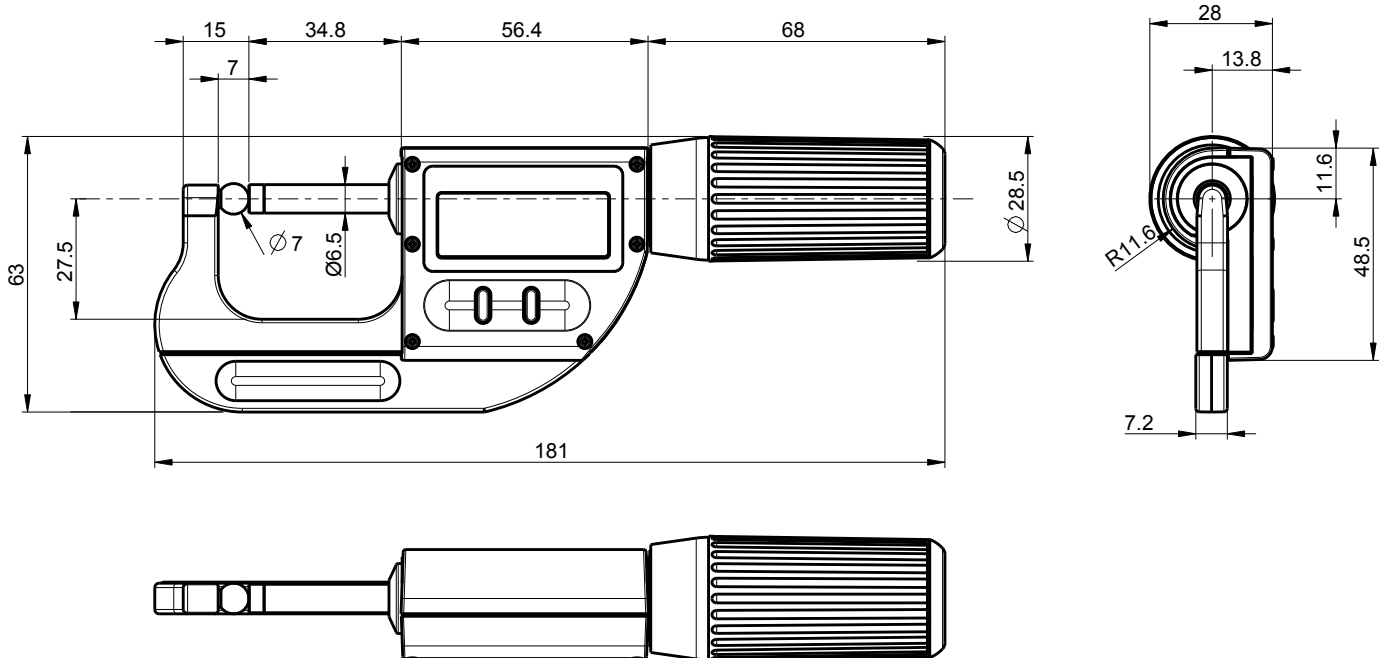
* SIS description on page 5

Professional micrometer

S_Mike PRO

DIMENSIONAL DRAWING

FLAT Ø6.5 / SPHERICAL Ø7



TECHNICAL SPECIFICATIONS

		803.0304
Measuring range	mm	0-30
Max. Error MPE _J ¹⁾	µm	3
Repeatability ²⁾	µm	1
Parallelism	µm	1
Anvils types		Ø7 flat and Ø7 spherical
Output data		USB / RS 232 / Wireless ³⁾
Prot. rating accor. to IEC 60529		IP67 even connected
Setting by PC		●
Adjustable measuring force		5N / 10N
Non-rotating spindle		●
Fast movement		●
Preset function		●
Smart Inductive Sensor		●

¹⁾ according to DIN 863 / ISO 3611

²⁾ ± 1 digit

³⁾ see cables chapter

Professional micrometer

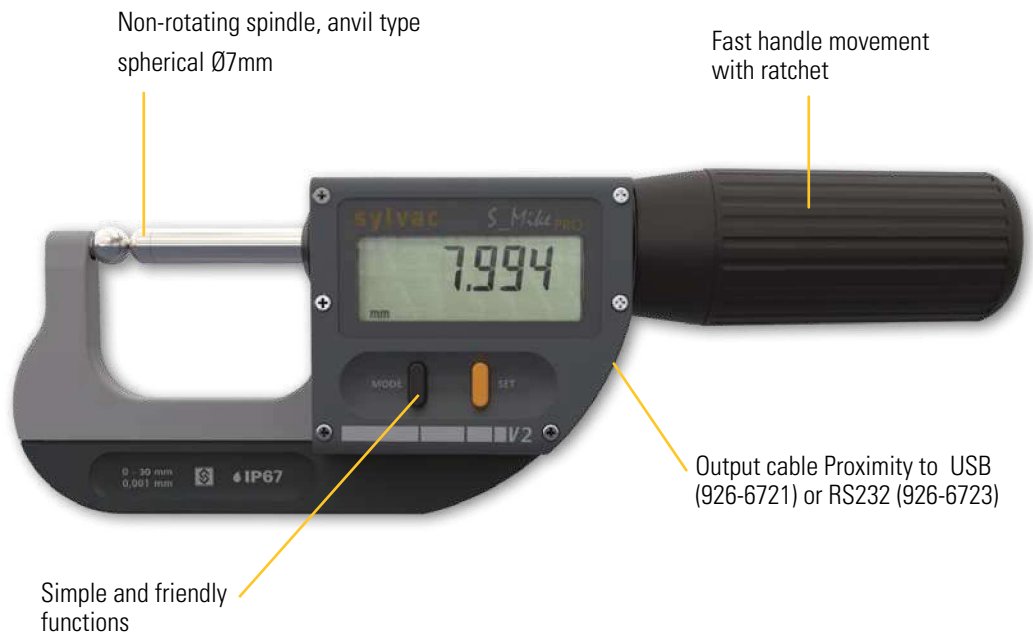
S_Mike PRO

DESCRIPTION

SPHERICAL Ø7

- High-speed micrometer with non-rotating spindle
- Linear spindle feed 10 mm per revolution
- Tungsten-carbide measuring anvils with fixed side a complete sphere Ø 7 mm and movable side a spherical probe with a radius of 3.5 mm
- For technical reasons, this micrometer cannot be delivered with different anvils.
- Display resolution 0.001 mm
- Ratchet system cancels operator influence and guarantees excellent repeatability
- Switchable measuring force 5 or 10 N
- Proximity data output
- This model is available in Bluetooth® version on request.
- Measuring range limited to 30 mm
- Protection class IP67

D



DIN 863

PROXIMITY

SIS Smart Inductive System

WATER RESISTANT

IP67

SWISS MADE

Spherical Ø7mm

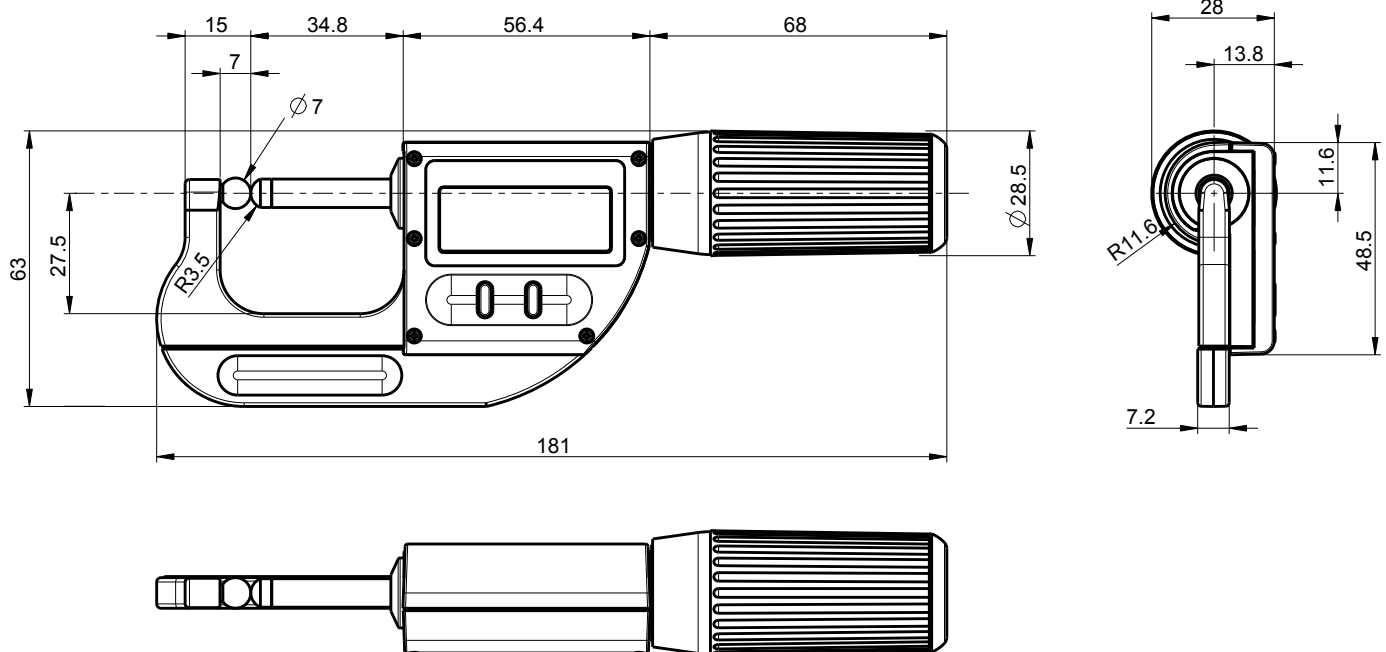
* SIS description on page 5

Professional micrometer

S_Mike PRO

DIMENSIONAL DRAWING

SPHERICAL Ø7



D

TECHNICAL SPECIFICATIONS

		803.0305
Measuring range	mm	0-30
Max. Error MPEJ ¹⁾	μm	4
Repeatability ²⁾	μm	1
Anvils types		$\varnothing 7$ (2 spherical)
Output data		USB / RS 232 / Wireless ³⁾
Prot. rating accor. to IEC 60529		IP67 even connected
Setting by PC		●
Adjustable measuring force		5N / 10N
Non-rotating spindle		●
Fast movement		●
Preset function		●
Smart Inductive Sensor		●

¹⁾ according to DIN 863 / ISO 3611

²⁾ ± 1 digit

³⁾ see cables chapter