

# Professional micrometer

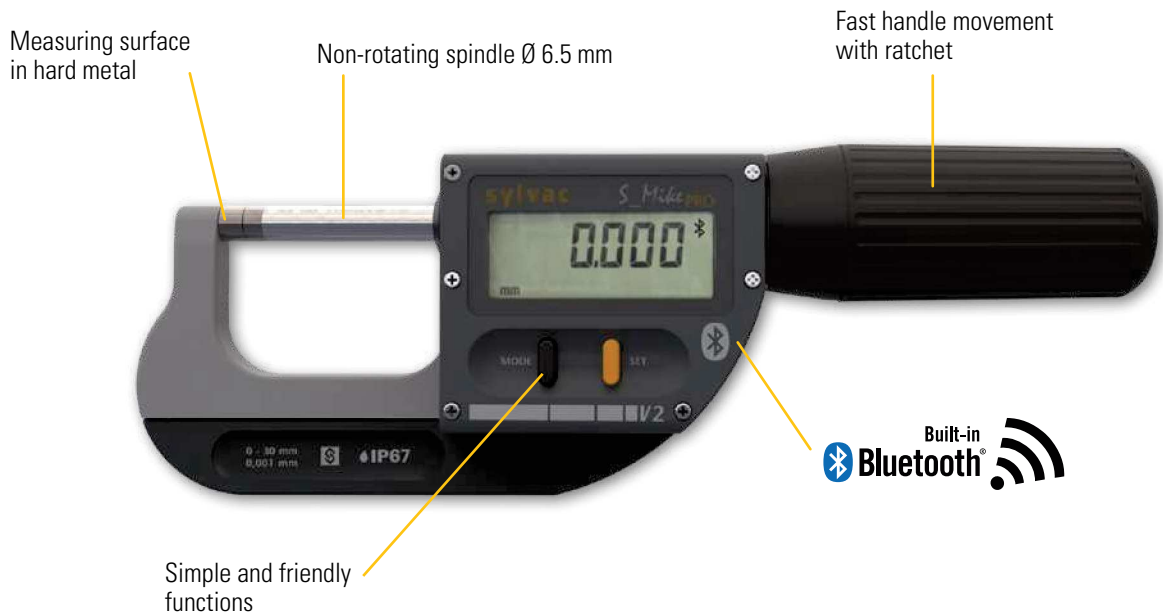
# S\_Mike PRO Smart

## DESCRIPTION

## CYLINDRICAL Ø6.5 SMART

- Ultra-fast non-rotating spindle micrometer with integrated Bluetooth® system
- Linear spindle feed 10 mm per revolution
- Measuring range greater than traditional micrometers
- Tungsten carbide measuring anvils Ø 6.5 mm
- Display resolution 0.001 mm
- Ratchet system cancels operator influence and guarantees excellent repeatability
- Switchable measuring force 5 or 10 N for the 0-30 mm model
- Measuring range up to 102 mm (161 mm on request)
- Protection class IP67

D



**DIN 863**

Built-in Bluetooth®

**SIS** Smart Inductive System

WATER RESISTANT

**IP67**

**SWISS MADE**

**Cylindrical Ø6.5mm**



\* SIS description on page 5

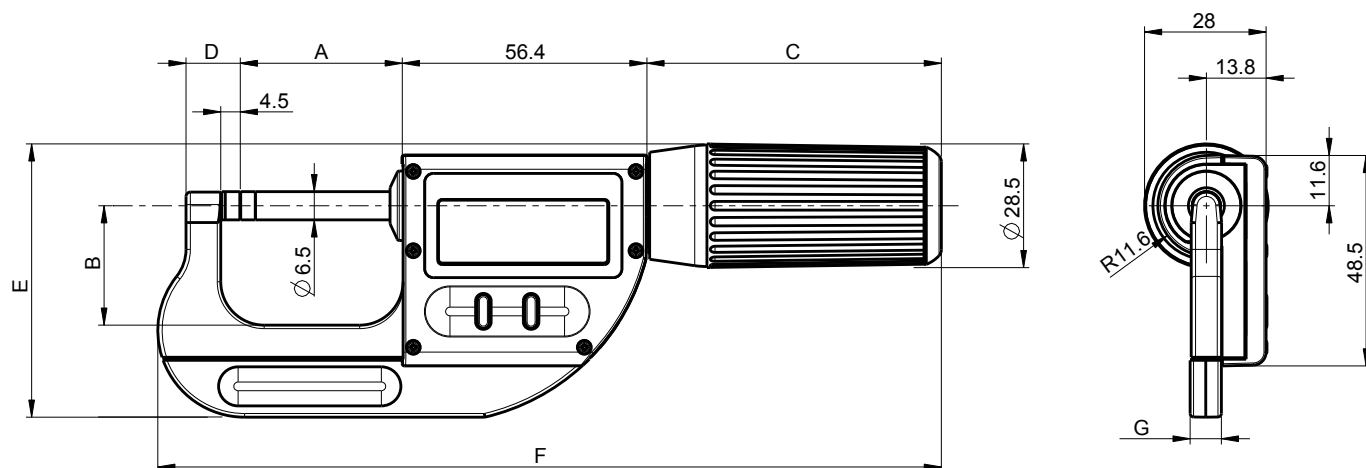


# Professional micrometer

# S\_Mike PRO Smart

## DIMENSIONAL DRAWING

## CYLINDRICAL Ø6.5 SMART



## TECHNICAL SPECIFICATIONS

		803-0306	903-0606	903-1006
Measuring range	mm	0-30	30-66	66-102
Max. Error MPE <sub>J</sub> <sup>1)</sup>	µm	3	4	5
Repeatability <sup>2)</sup>	µm	1	1	1
Anvils types		Ø6.5 <sup>3)</sup>		
A	mm	37.3	73.3	109.3
B	mm	27.5	43	60
C	mm	68	74	74
D	mm	12.5	13.5	14.5
E	mm	63	86	106
F	mm	181	230	269
G	mm	7.2	9	9
Output data	Bluetooth® wireless technology*			
Prot. rating accor. to IEC 60529	IP67 even connected			
Setting by PC	●			
Adjustable measuring force	5N / 10N	10N		
Non-rotating spindle	●			
Fast movement	●			
Preset function	●			
Smart Inductive Sensor	●			

<sup>1)</sup> according to DIN 863 / ISO 3611

<sup>2)</sup> ± 1 digit

<sup>3)</sup> Other anvils type on demand.

**\* Up to 8 instruments connected per dongle #981-7100**