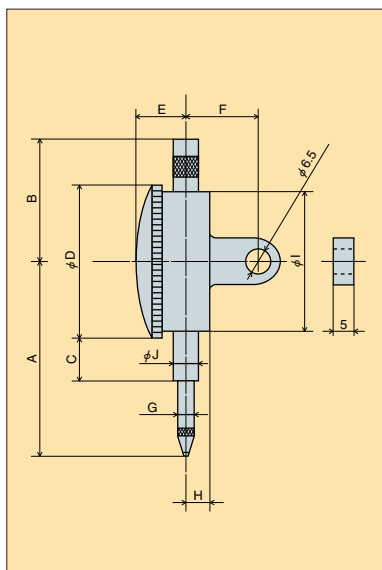


Dimensions of Dial Gauges

1



Dimensions of Dial Gauges



Standard 0.001mm 0.005mm (mm)

Model	A	B	C	D	E	F	G	H	I	J
5B-HG	60	41.5	18.5	53	14.5	20	4	6.5	49	8.0 ⁰ _{-0.022}
5-DX	60	42.6	17	55.7	14.5	20	5	7	52	8.0 ⁰ _{-0.03}
5B	60	41.5	18.5	53	14.5	20	4	6.5	49	8.0 ⁰ _{-0.022}
5F	60	41.5	18.5	53	14.5	—	4	6.5	49	8.0 ⁰ _{-0.022}
5-SWF	63	41.5	17.5	55	15	20	4	6.5	49	8.0 ⁰ _{-0.022}
25	72	42	25	66.5	14.5	20	4	7.5	62.5	8.0 ⁰ _{-0.03}
25F-RE	72	41	25	66.5	14.5	—	4	7.5	62.5	8.0 ⁰ _{-0.03}
25S	60	42.6	17	55.7	14.5	20	5	7	52	8.0 ⁰ _{-0.03}
55	73	52	25	66	17	20	4.5	7	62.5	8.0 ⁰ _{-0.03}
55-DX	62	44.5	17	57	17	19.5	4.5	6.5	52	8.0 ⁰ _{-0.03}
56	62	44.5	17	57	17	19.5	4.5	6.5	52	8.0 ⁰ _{-0.03}

Standard 0.01mm (mm)

Model	A	B	C	D	E	F	G	H	I	J
107-HG	65	41.5	18.5	53	14.5	20	4	6.5	49	8.0 ⁰ _{-0.03}
107-DX	65	50.7	17	55.7	14.5	20	5	7	52	8.0 ⁰ _{-0.03}
107	65	41.5	18.5	53	14.5	20	4	6.5	49	8.0 ⁰ _{-0.03}
107F	65	41.5	18.5	53	14.5	—	4	6.5	49	8.0 ⁰ _{-0.03}
107-SWA	68	41.5	17.5	55	15	20	4	6.5	49	8.0 ⁰ _{-0.03}
107-BL	65	41.5	18.5	53	14.5	—	4	6.5	49	8.0 ⁰ _{-0.03}
107F-RE	65	41.5	18.5	53	14.5	20	4	6.5	49	8.0 ⁰ _{-0.03}
107-LL	65	—	18.5	53	14.5	20	4	6.5	49	8.0 ⁰ _{-0.03}
107W	65	41.5	17.5	55	17	20	4	6.5	49	8.0 ⁰ _{-0.03}
107F-T	65	41.5	18.5	53	14.5	—	4	6.5	49	8.0 ⁰ _{-0.03}
107-E	65	41.5	18.5	53	14.5	20	4	6.5	49	8.0 ⁰ _{-0.03}
17	65	41.5	18.5	53	14.5	20	4	6.5	49	8.0 ⁰ _{-0.03}
57-SWA	65	41.5	18.5	55	15	20	4	6.5	49	8.0 ⁰ _{-0.03}
57	65	41.5	18.5	53	14.5	20	4	6.5	49	8.0 ⁰ _{-0.03}
57F	65	41.5	18.5	53	14.5	—	4	6.5	49	8.0 ⁰ _{-0.03}
57B	65	41.5	18.5	53	14.5	—	4	6.5	49	8.0 ⁰ _{-0.03}

Long Travel 0.01mm 0.005mm 0.1mm (mm)

Model	A	B	C	D	E	F	G	H	I	J
207	90	41	25	66.5	14.5	20	5	7.5	62.5	8.0 ⁰ _{-0.03}
207F-PL	90	41	25	66.5	14.5	—	5	7.5	62.5	8.0 ⁰ _{-0.03}
207F-T	90	41	25	66.5	14.5	—	5	7.5	62.5	8.0 ⁰ _{-0.03}
207S-LL	75	50.5	18.5	53	14.5	20	4	6.5	49	8.0 ⁰ _{-0.03}
207S	75	50.5	18.5	53	14.5	20	4	6.5	49	8.0 ⁰ _{-0.03}
207W	75	50.5	17.5	55	17	20	4	6.5	49	8.0 ⁰ _{-0.03}
207WF-T	75	50.5	17.5	55	17	—	4	6.5	49	8.0 ⁰ _{-0.03}
307S	107	89	22	57	17.5	20	5	7	52	8.0 ⁰ _{-0.03}
307	102	46	22.8	75.5	17.5	21	5	8	72.5	8.0 ⁰ _{-0.03}
507	128	81.5	26.7	81.5	17.5	21.5	5.5	8.5	78.5	10.0 ⁰ _{-0.03}
509	128	81.5	26.7	81.5	17.5	21.5	5.5	8.5	78.5	10.0 ⁰ _{-0.03}
809	201.5	86.5	54	112	24	22.5	6	10	108	14.0 ⁰ _{-0.03}

Miniature 0.01mm 0.005mm (mm)

Model	A	B	C	D	E	F	G	H	I	J
5S	43.2	30.5	12.9	40.8	12.5	—	4	5.1	37	8.0 ⁰ _{-0.03}
47	39.6	20	9.7	36	13	15	3.5	5.8	32	8.0 ⁰ _{-0.03}
47F	39.6	20	9.7	36	13	—	3.5	5.8	32	8.0 ⁰ _{-0.03}
57S	41.3	27.4	10	39	14	19	4	5.1	36.5	8.0 ⁰ _{-0.03}
36A	46.2	30.5	12.9	40.8	12.5	19	4	5.1	37	8.0 ⁰ _{-0.03}
36B	46.2	30.5	12.9	40.8	12.5	19	4	5.1	37	8.0 ⁰ _{-0.03}