

Lever Type Dial Indicators NEW PIC TEST

Without change lever **PCN** series

The New Pic Test is a lever type dial indicators used in all over the world.

It is a measuring instrument used for measurements of restricted areas, and the outside/inside, groove width and centering with the dial gauge installed to the lathe or the milling cutting machine for measurements with the gauges held on the height gauges.

● **Without change lever (Automatic inverse type)**

The lever type dial gauge of this type has no change lever, the contact point inverses automatically in normal or reverse direction as desired and pointer turns always CW to improve the measuring efficiency.

● **Miniature Bearing Used**

The miniature bearing used as a bearing at the pivot of the contact point to show good indication stability without any effect by rod play.

● **O-ring used**

Oil resistance is enhanced by seating the O-ring in the turning section of the outer frame.

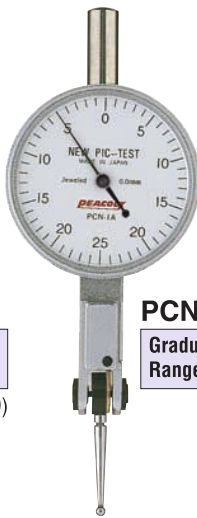
Lever Type Dial Indicators NEW PIC TEST



PCN-0

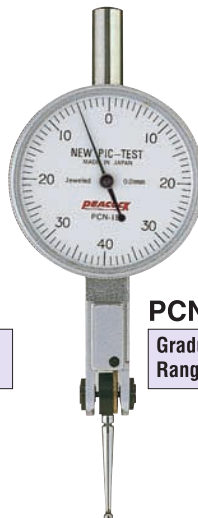
Graduation: 0.01mm
Range: 0.5mm

- Small dial face (φ 29)



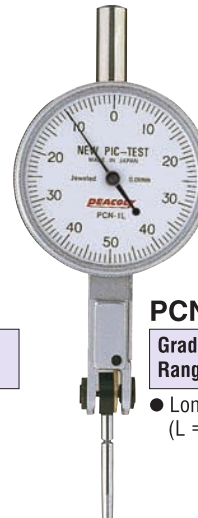
PCN-1A

Graduation: 0.01mm
Range: 0.5mm



PCN-1B

Graduation: 0.01mm
Range: 0.8mm



PCN-1L

Graduation: 0.01mm
Range: 1.0mm

- Long contact point (L = 42.8mm)



PCN-2

Graduation: 0.002mm
Range: 0.28mm



PCN-2B

Graduation: 0.002mm
Range: 0.2mm



PCN-S

Graduation: 0.001mm
Range: 0.14mm

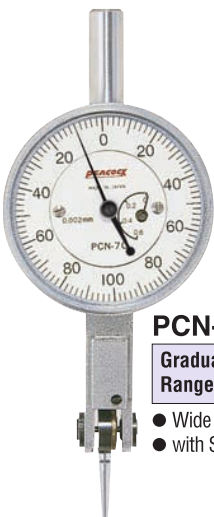
- High accuracy



PCN-7A

Graduation: 0.01mm
Range: 1.5mm

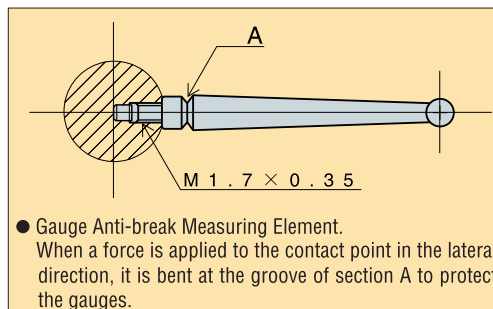
- Wide measuring range
- with Shorter Pointer



PCN-7C

Graduation: 0.002mm
Range: 0.6mm

- Wide measuring range
- with Shorter Pointer



● **Gauge Anti-break Measuring Element.**
When a force is applied to the contact point in the lateral direction, it is bent at the groove of section A to protect the gauges.

※ The contact point can simply replaced (See page P57).

Vertical



PCN-5

Graduation: 0.01mm
Range: 0.5mm

Vertical



PCN-6

Graduation: 0.002mm
Range: 0.28mm

Specifications

Model	Graduation (mm)	Range (mm)	Reading	Accuracy (µm)			Measuring force less than(N)
				Wide-range forward accuracy	Adjacent error	Backward error	
PCN-0	0.01	0.5	0 - 25 - 0	5	5	3	0.3
PCN-1A	0.01	0.5	0 - 25 - 0	5	5	3	0.3
PCN-1B	0.01	0.8	0 - 40 - 0	8	5	3	0.3
PCN-1L	0.01	1.0	0 - 50 - 0	10	5	4	0.3
PCN-2	0.002	0.28	0 - 140 - 0	3	2	2	0.3
PCN-2B	0.002	0.2	0 - 100 - 0	3	2	2	0.3
PCN-S	0.001	0.14	0 - 70 - 0	3	2	2	0.3
PCN-7A	0.01	1.5	0 - 25 - 0	8	5	3	0.3
PCN-7C	0.002	0.6	0 - 100 - 0	6	2	3	0.3
PCN-5	0.01	0.5	0 - 25 - 0	5	5	3	0.3
PCN-6	0.002	0.28	0 - 140 - 0	3	2	2	0.3

Special Type Test Indicators

Double Dial Type W series

- The conventional lever type dial gauge used to have some unreadable points when aligning with it, which has made it impossible to do the accurate aligning till now. The double dial type Pic Test has two dials at both sides, making it possible to cover said unreadable points by conventional Pic Tests.



PC-1BW

Graduation: 0.01mm
Range: 0.8mm

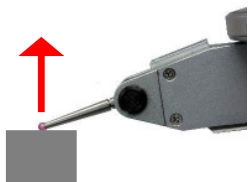
- Change lever type

Specifications

Model	Graduation (mm)	Range (mm)	Reading	Accuracy (µm)			Measuring force less than(N)
				Wide-range forward accuracy	Adjacent error	Backward error	
PC-1BW	0.01	0.8	0 - 40 - 0	8	5	4	0.4

Upward Measurement

PK-SA
PK-SAR



Contact Point (Carbide)

for PK-SA
for PK-SB



XN2-2

Dovetail Stem

Accessory: DS-6
Option: DS-4 and DS-8



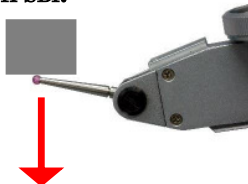
DS-8: Stem Dia. Φ 8mm

DS-6: Stem Dia. Φ 6mm

DS-4: Stem Dia. Φ 4mm

Downward Measurement

PK-SB
PK-SBR



Contact Point (Ruby)

for PK-SAR
for PK-SBR



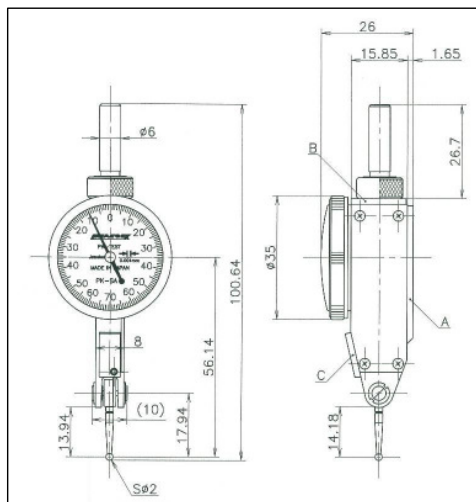
XN2-2R

Mounting Position of Dovetail Stem

Dovetail groove is 3 places.



Dimensions



A, B & C : Dovetail groove

Replaceable Contact Points



Lever type Dial Indicator

NEW PRODUCTS

PK-TEST

Utility Model Registration No. 3206149

First time in world 0.001mm Graduation with Long Contact Point (14.18mm)

- It is possible to enable the longer contact point by New Mechanism.
(Utility Model Registration No. 3206149)
- Long Contact Point has a lot of flexibility to set and is easy to use.
 - Contact Point is selectable "Carbide ball" or "Ruby ball".

Upward direction measurement

Model No. PK-SA (with Φ 2mm Carbide ball)

Model No. PK-SAR (with Φ 2mm Ruby ball)



Downward direction measurement

Model No. PK-SB (with Φ 2mm Carbide ball)

Model No. PK-SBR (with Φ 2mm Ruby ball)

Specifications

Model	Contact Point	Direction of Measurement	Range mm	Graduation mm	Measuring range accuracy (μ m)	10 scale divisions accuracy (μ m)	Hysteresis (μ m)	Repeatability (μ m)	Accessory
PK-SA	Carbide	Upward	0.14	0.001	4.0	2.0	3.0	1.0	Dovetail Stem Φ 6 mm
PK-SAR	Ruby								
PK-SB	Carbide	Downward							
PK-SBR	Ruby								

Please purchase PK series after checking the direction of your measurement.

(PK series has no change Lever and no function to change direction automatically.)

OZAKI MFG. CO., LTD.

1-63-11 TOKIWADAI, ITABASHI-KU, TOKYO 174-0071 JAPAN

TEL: 81-3-3966-1109 FAX: 81-3-3558-1868 URL: <http://www.peacockozaki.jp>



JQA-QM3914
Head office
Chiba factory

Lever type Dial Indicator PK-TEST

Certificate of Inspection is attached.

We attach Certificate of Inspection at shipping inspection.



Attached Certificate of Inspection cannot be used as Calibration Certificate.
Apply for Calibration Certificate when you purchase products.

Crystal is formed by press-molding special acrylic plate

Special acrylic plate is superior to Injection molding material in "Oil-proof", "Chemical resistance" and "Transparency" and it is formed by a press work as convex R shape.

Hold by Dovetail Stem

Hold by attached Dovetail Stem in dovetail groove.
Hold by 3 ways which is upper face, lower face and back face.
There are 3 kinds of diameter $\Phi 4$, $\Phi 6$ and $\Phi 8$ mm.
(PK series is including $\Phi 6$ mm as standard but you can also choose $\Phi 4$ or $\Phi 8$ mm.)



Hold in dovetail groove.

Protect "Crystal" by Bezel made of Metal.

Bezel is made of Metal, it prevents "Crystal" from damage and deformation.
Even if a scratch is generated on Crystal, it is easy to exchange only "Crystal".
There is no aged deterioration on Bezel made of Metal and even if using for a long time, it would be easy to turn Bezel and adjust Zero setting smoothly.



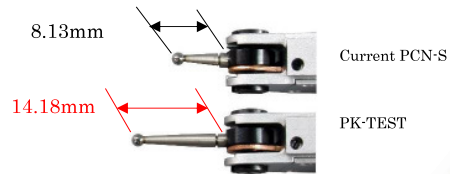
Even if using for long hours, white color of Dial Plate is Comfort on the eyes.

Dial Plate based on white color allows an easy view of Pointer and reducing fatigue of the eyes.



Contact Point gets longer.

PK-TEST enables 6.05mm longer than the conventional 0.001mm Graduation type.

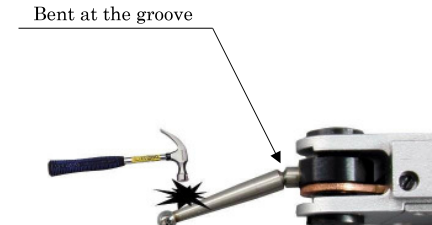


with Ruby ball ($\Phi 2$ mm)
PK-SAR · · · Upward direction
PK-SBR · · · Downward direction

with Carbide ball ($\Phi 2$ mm)
PK-SA · · · Upward direction
PK-SB · · · Downward direction

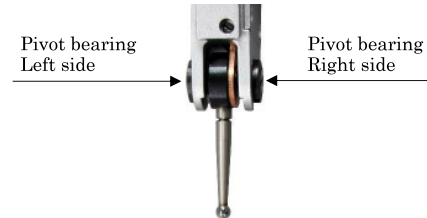
Contact Point with groove of anti-break

When a force is applied to Contact Point, it is bent at the groove to protect body and only exchange broken Contact Point.
(Apply to all Pic Test Indicators)



Lever supporting point is used with Pivot bearing with both side of left and right.

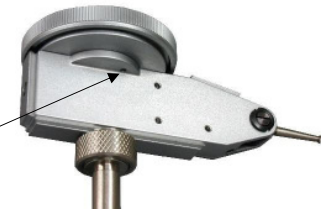
Unique structure using Pivot bearing used with both side of left and right is high reliable and keeps high repeatability even if using for a long time.
(Apply to all Pic Test Indicators)



Prevent looseness by 3 points screws.

In PK series, adopt new body and base metal for 3 points fixing screws from 2 points fixing screws, which more strengthens the fixing force.

New adapted fixing



Mechanism with easy maintenance even using for a long time.

It is possible to repair by the same movement method of a clock and keeping durability of bearing due to Jewel.
(Apply to all Pic Test Indicators)

